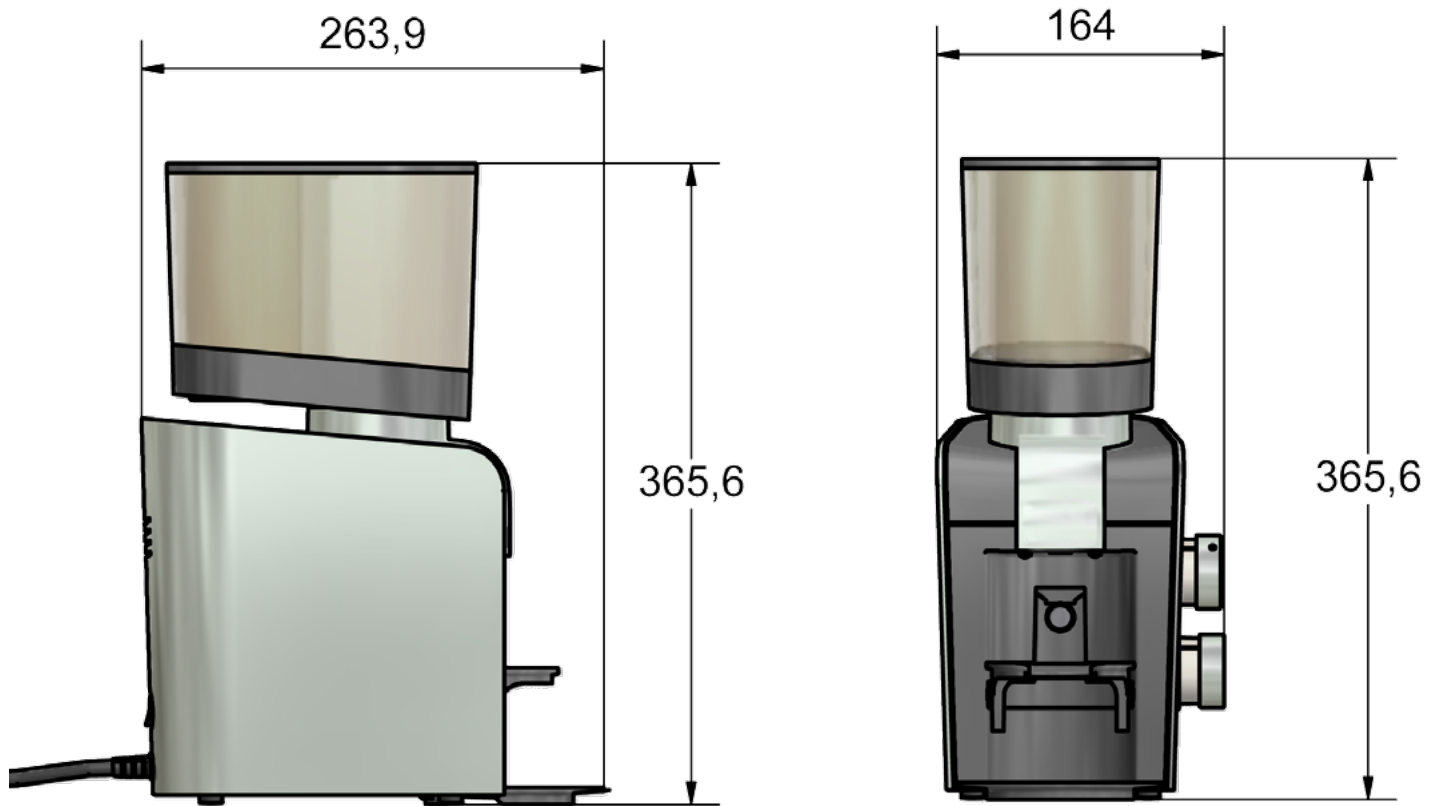




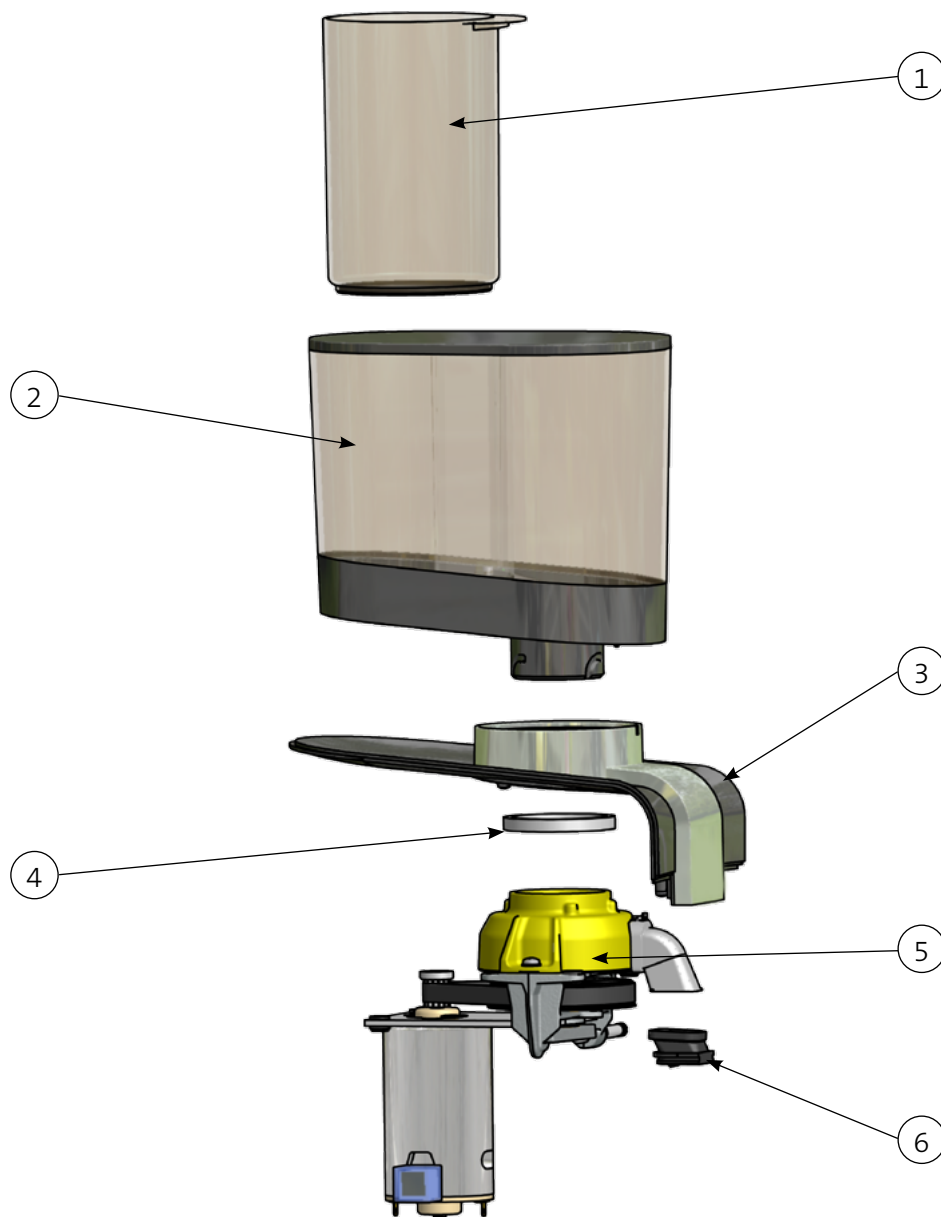
SPARE PARTS LIST - ProD 100-120V 50/60Hz



Valid from 01.09.2014
Supersedes all previously issued spare parts lists

Subject to change without prior notice.

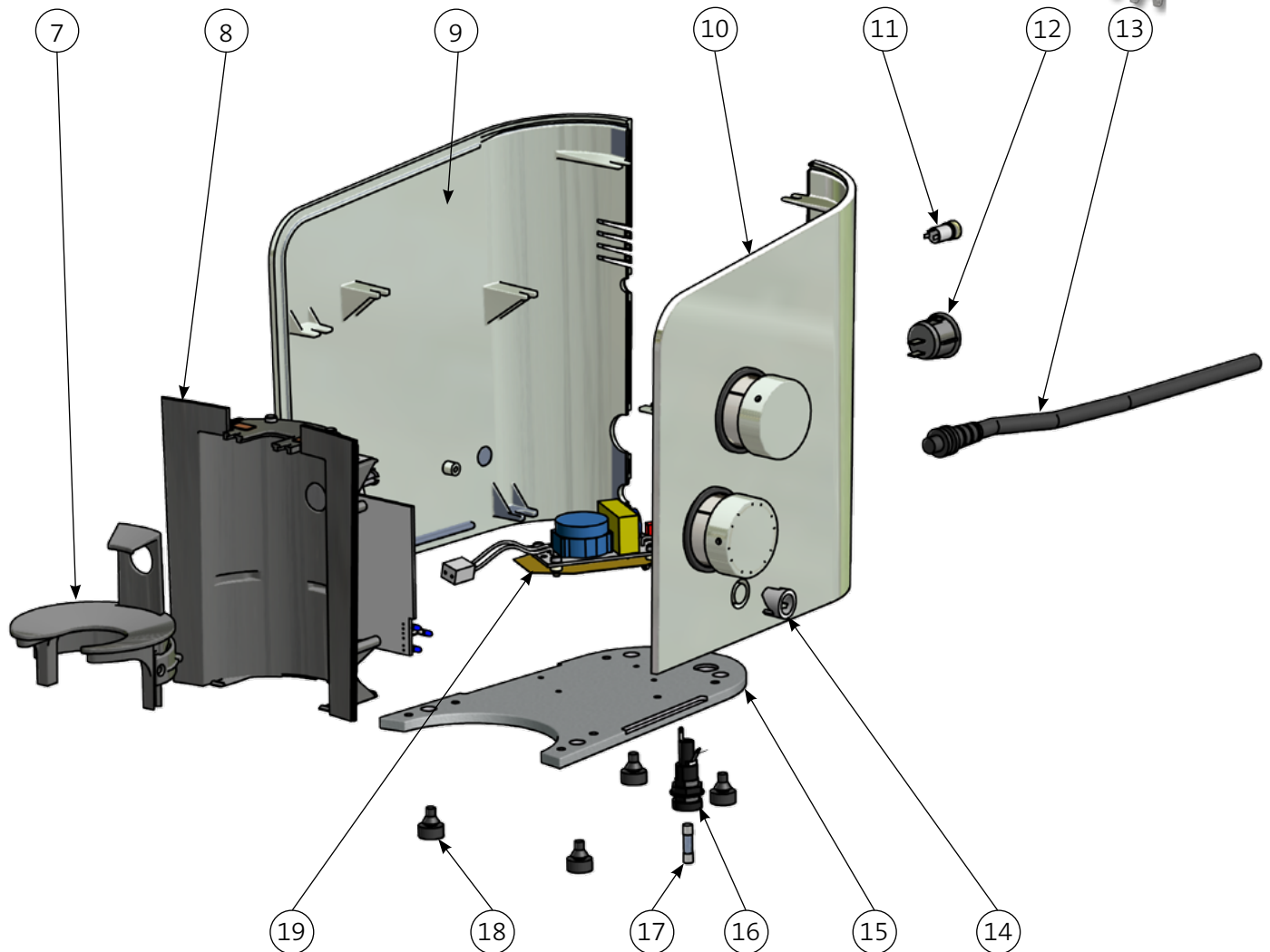
SPARE PARTS LIST - ProD 100-120V 50/60Hz



Model: ProD 100-120V 50/60Hz

ARTICLE NO.	DRAWING NO.	DESCRIPTION
310147	1	Grounds bin (anti-static material)
310707	2	Hopper with lid
-	3	Upper panel complete UL (see page 4)
310624	4	Gasket grinder casing
267611	5	EK8 built-in grinder 100-120V 50/60Hz
310183	6	Spout gasket

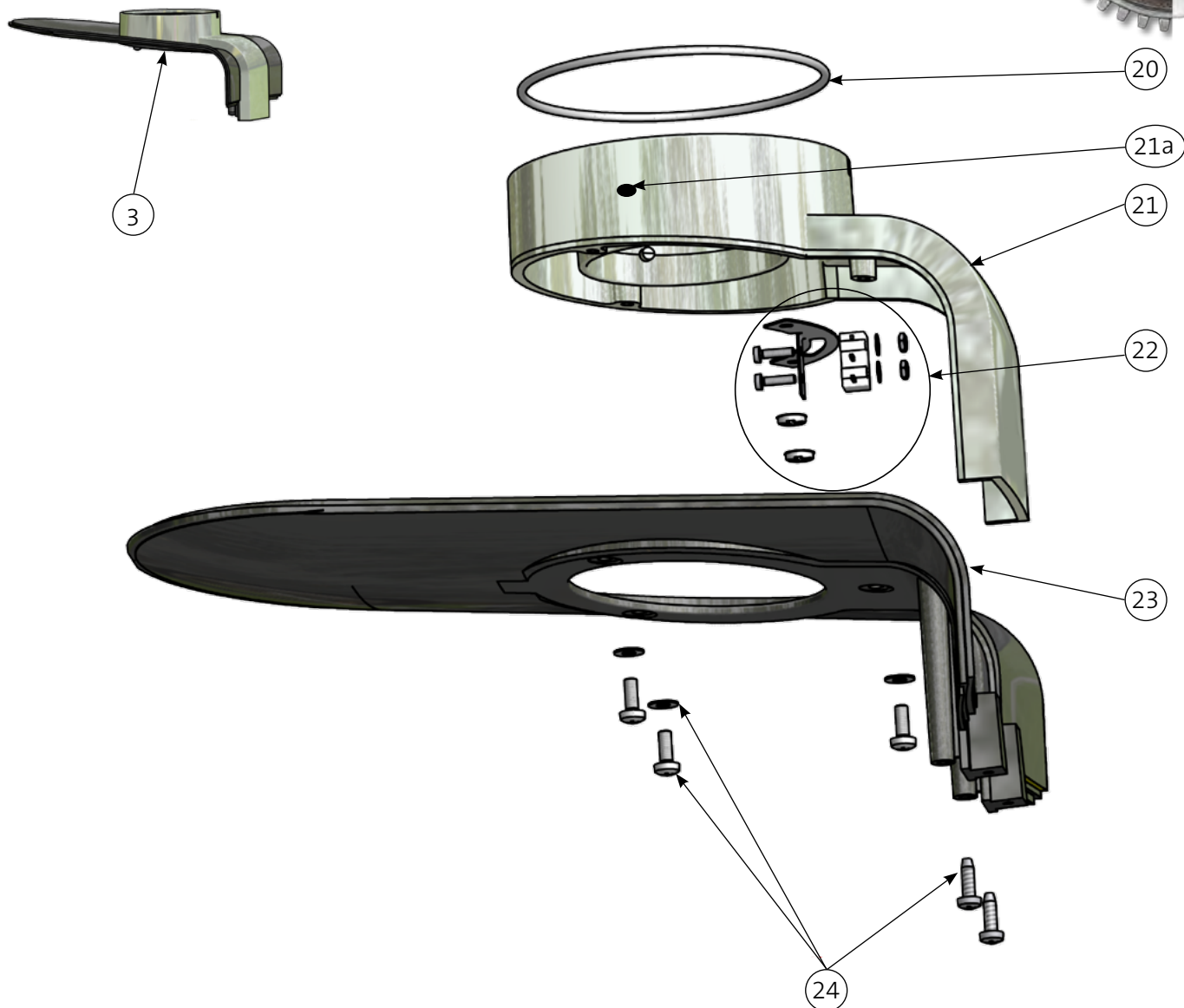
SPARE PARTS LIST - ProD 100-120V 50/60Hz



Model: ProD 100-120V 50/60Hz

ARTICLE NO.	DRAWING NO.	DESCRIPTION
310708	7	Portafilter holder
-	8	Front panel complete UL (see page 5)
310033	9	Side panel left
310855	10	Side panel right ProD (without buttons)
310512	11	Jack plug
310433	12	Rocker switch round
310986	13	Power cord, US
310170	14	Lucent ring
310225	15	Base plate
310537	16	Fuse holder
100201	17	Safety fuse F2,5A L fast
310706	18	Rubber feet, pack of 4
100249	19	EMC-board 115V

SPARE PARTS LIST - ProD 100-120V 50/60Hz

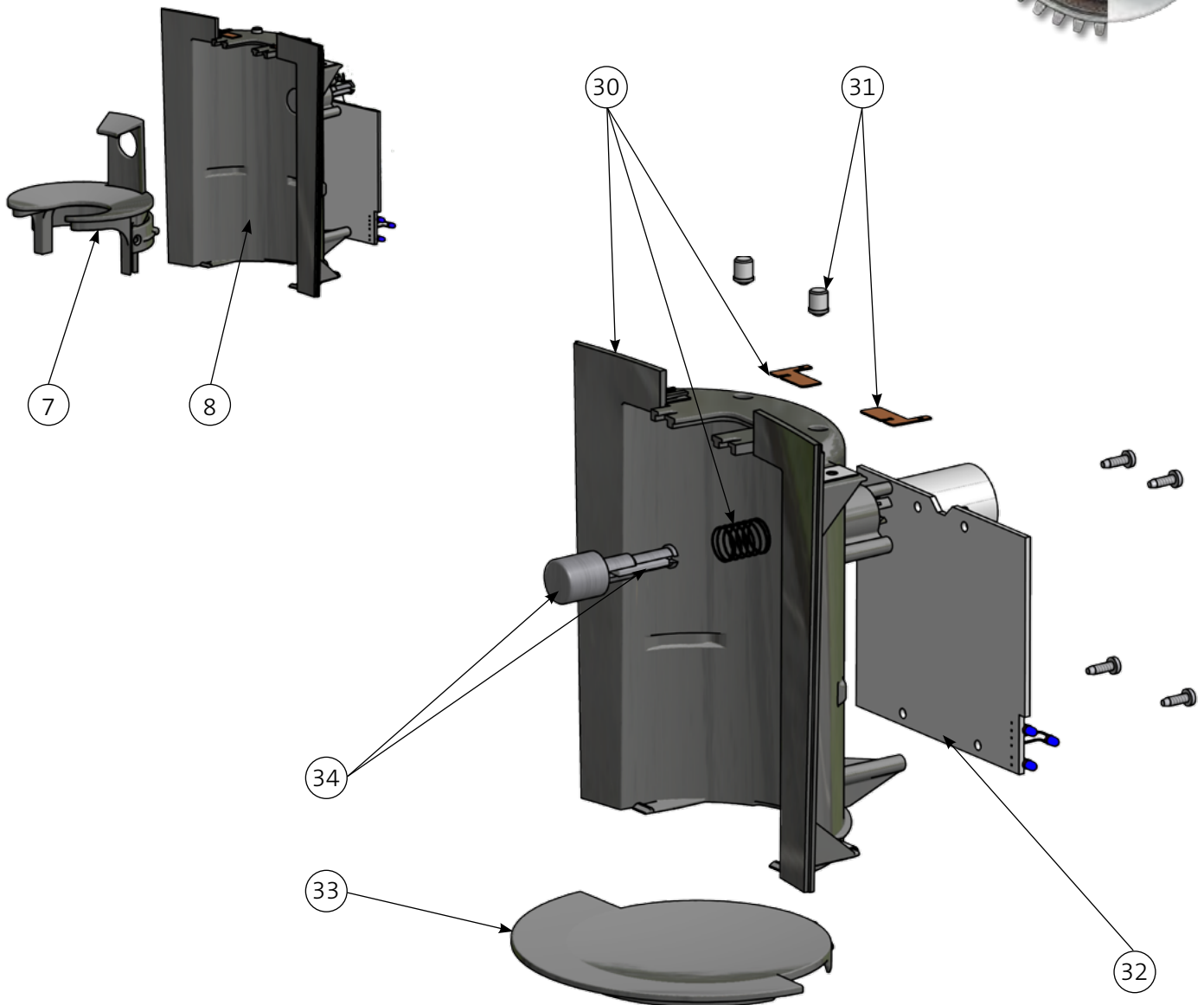


Model: ProD 100-120V 50/60Hz

ARTICLE NO.	DRAWING NO.	DESCRIPTION
-	3	Upper panel complete UL
310468	20	O-ring
310045	21	Spout cover UL
100200	21a	Treaded pin with peak M4x20
310709	22	Micro switch, service pack
310058	23	Upper panel
310714	24	Small parts set, cover



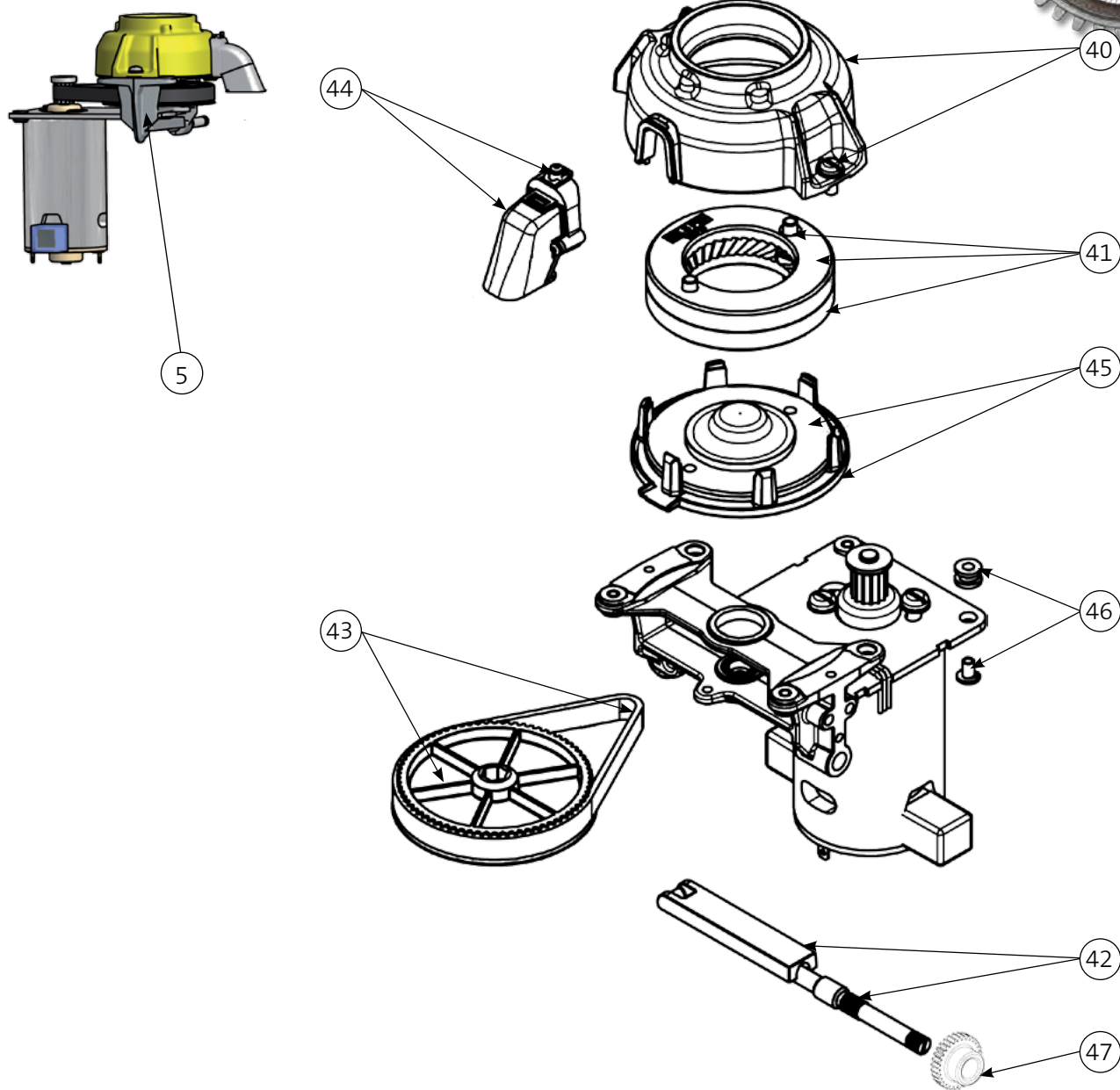
SPARE PARTS LIST - ProD 100-120V 50/60Hz



Model: ProD 100-120V 50/60Hz

ARTICLE NO.	DRAWING NO.	DESCRIPTION
310708	7	Portafilter holder
-	8	Front panel complete UL
102021	30	Front panel ProD, service pack
310711	31	Small parts set, front panel
101597	32	Power board 100-120V
310062	33	Residue tray ProD
310713	34	Start button, service pack

SPARE PARTS LIST - ProD 100-120V 50/60Hz



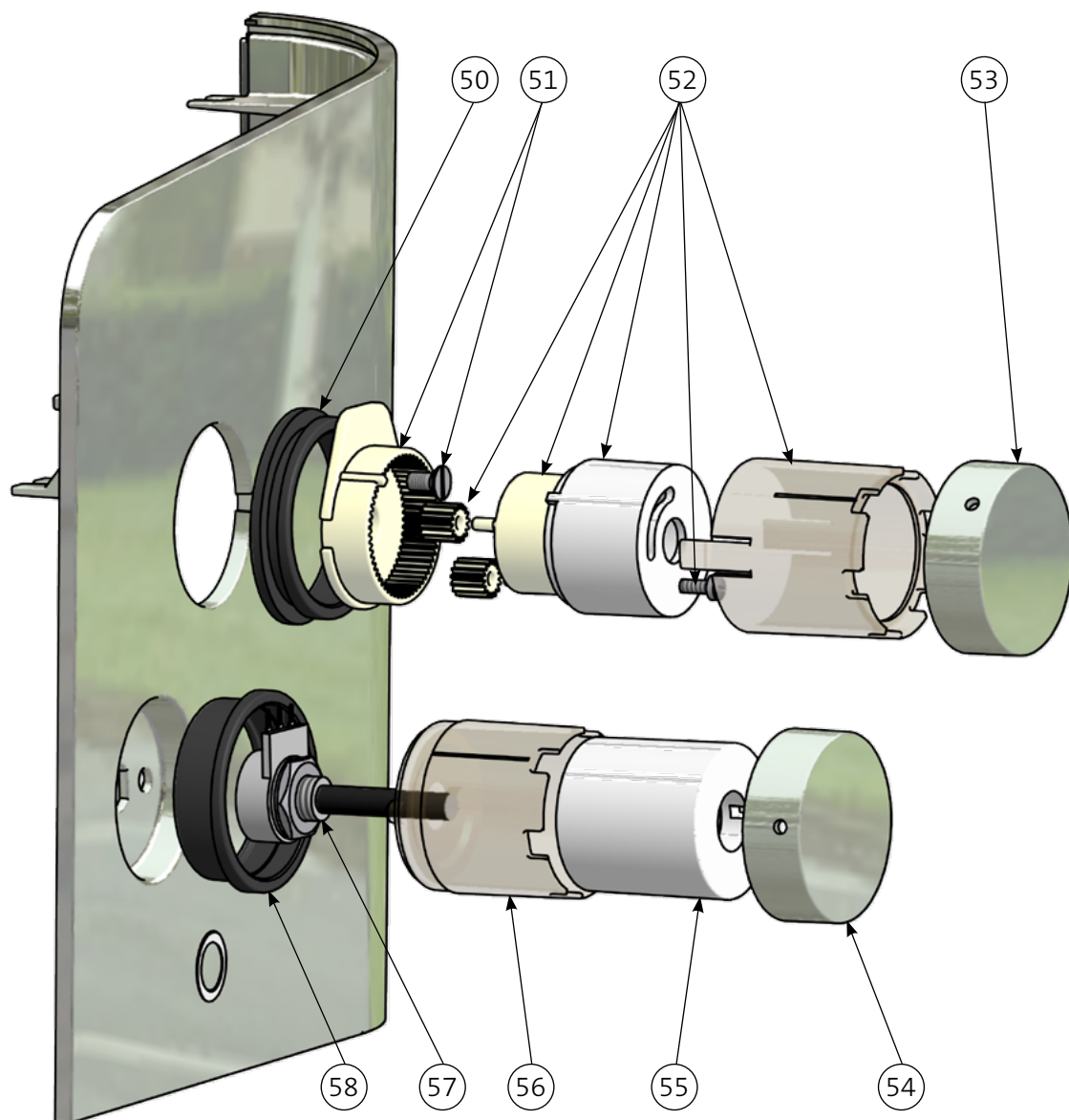
Model: ProD 100-120V 50/60Hz

ARTICLE NO. DRAWING NO. DESCRIPTION

267611	5	EK8 built-in grinder 100-120V 50/60Hz
101017	40	Grinder casing cover EK8, service pack
101019	41	Grinding disc set EK8 pro, service pack
101086	42	Adjustment EK8 ProM, service pack
101021	43	Belt / wheel EK8, service pack
102180	44	Spout EK8 100-120V, service pack
101020	45	Rotating burr carrier EK8, service pack
101023	46	Damper EK8, service pack
310068	47	Internal gear, grind adjustment



SPARE PARTS LIST - ProD 100-120V 50/60Hz



Model: ProD 100-120V 50/60Hz

ARTICLE NO.	DRAWING NO.	DESCRIPTION
310091	50	Rubber gasket grind adjustment
310715	51	Annulus gear grind adjustment, service pack
310716	52	Grind adjustment incl. planet wheels
310731	53	Adjustment knob grind adjustment, service pack
310732	54	Adjustment knob grinding time, service pack
310069	55	Scale grinding time
310153	56	Vision panel grinding time
310842	57	Potentiometer assembled with cable
310090	58	Rubber gasket time adjustment



SPARE PARTS LIST - ProD 100-120V 50/60Hz

Changes In The Spare Parts List:

VALID FROM SERIAL NO.	ARTICLE NO.	DRAWING NO.	DESCRIPTION	COMMENT
-	310713	34	Spring not included	assembly reasons
4.1	267611	5	EK8 built-in grinder 100-120V 50/60Hz	new article number
4.1	101017	40	Grinder casing cover EK8, service pack	new service packs for EK8
4.1	101019	41	Grinding disc set EK8 pro, service pack	new service packs for EK8
4.1	101086	42	Adjustment EK8 ProM, service pack	new service packs for EK8
4.1	101021	43	Belt / wheel EK8, service pack	new service packs for EK8
4.1	101018	44	Spout EK8, service pack	new service packs for EK8
4.1	101020	45	Rotating burr carrier EK8, service pack	new service packs for EK8
4.1	101023	46	Damper EK8, service pack	new service packs for EK8
4.2	102021	30	Front panel ProD, service pack	pre-assembled front panel
4.2	310068	47	Internal gear, grind adjustment	new in spare parts list
4.3	102180	44	Spout EK8 100-120V, service pack	new spout for version 100-120V
4.4	310842	57	Potentiometer assembled with cable	replaces 310710