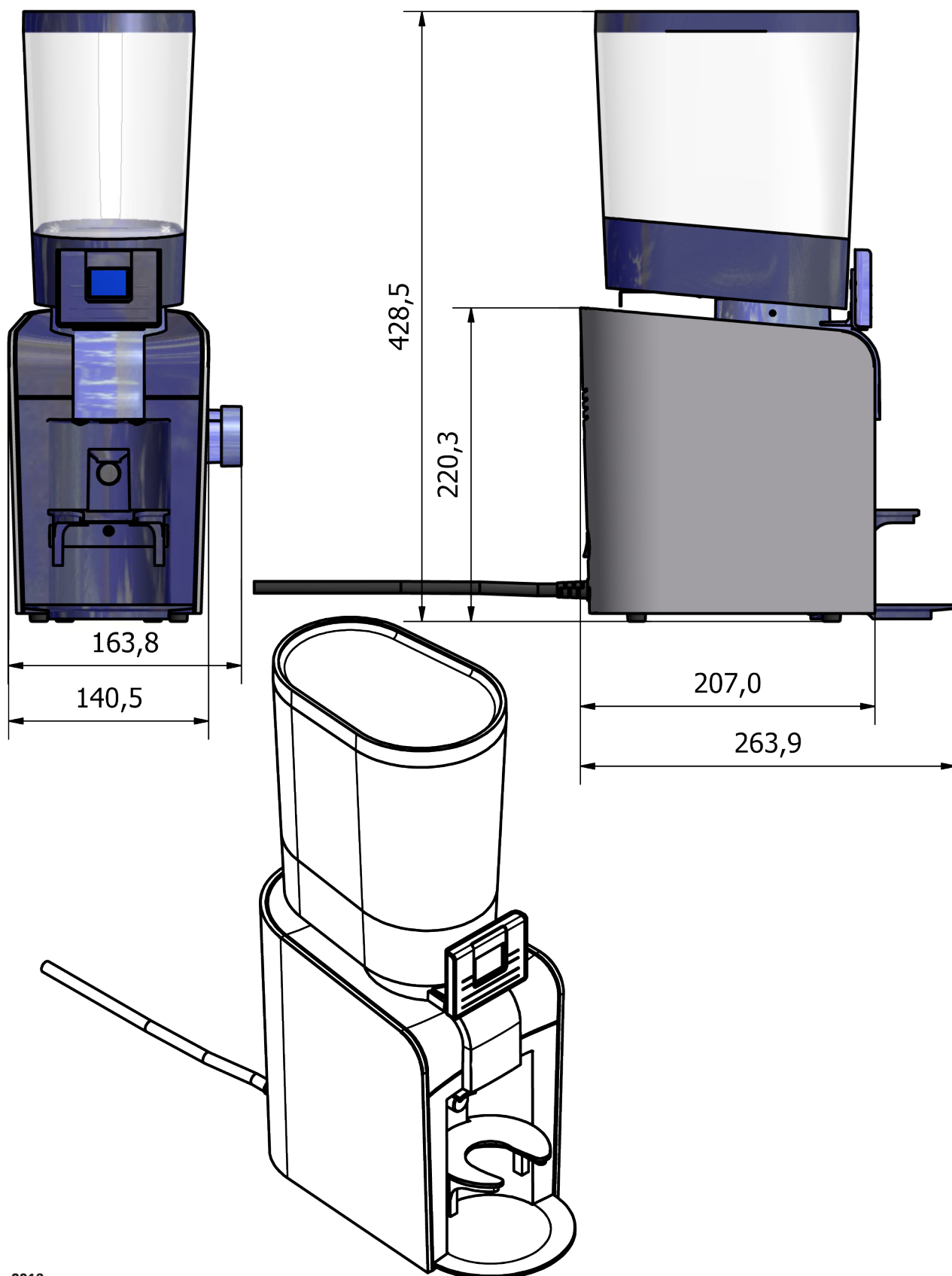




SPARE PARTS LIST - ProD ESPRESSO - 200-240V 50/60Hz

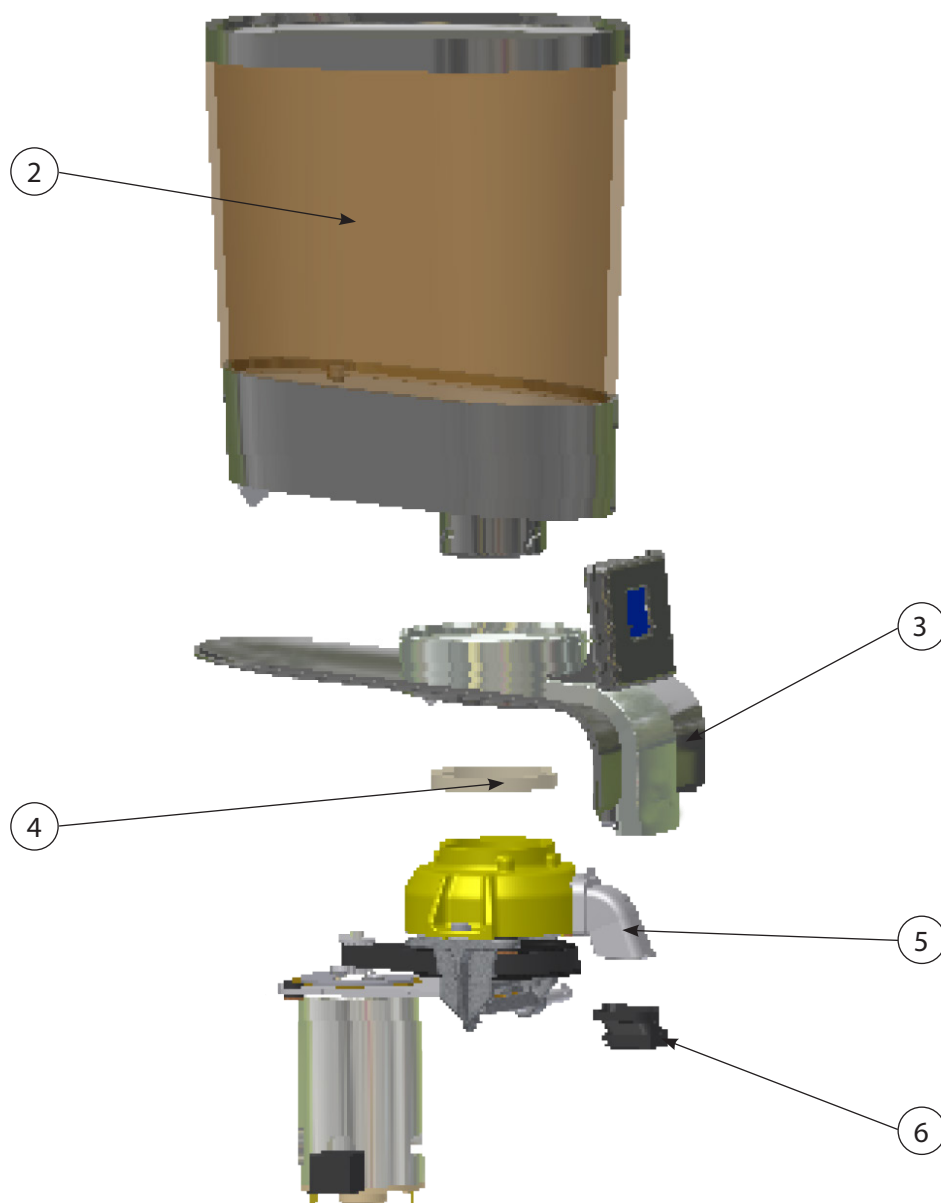


Valid from 14th June 2016
Supersedes all previously issued spare parts lists

Subject to change without prior notice.



SPARE PARTS LIST - ProD ESPRESSO - 200-240V 50/60Hz

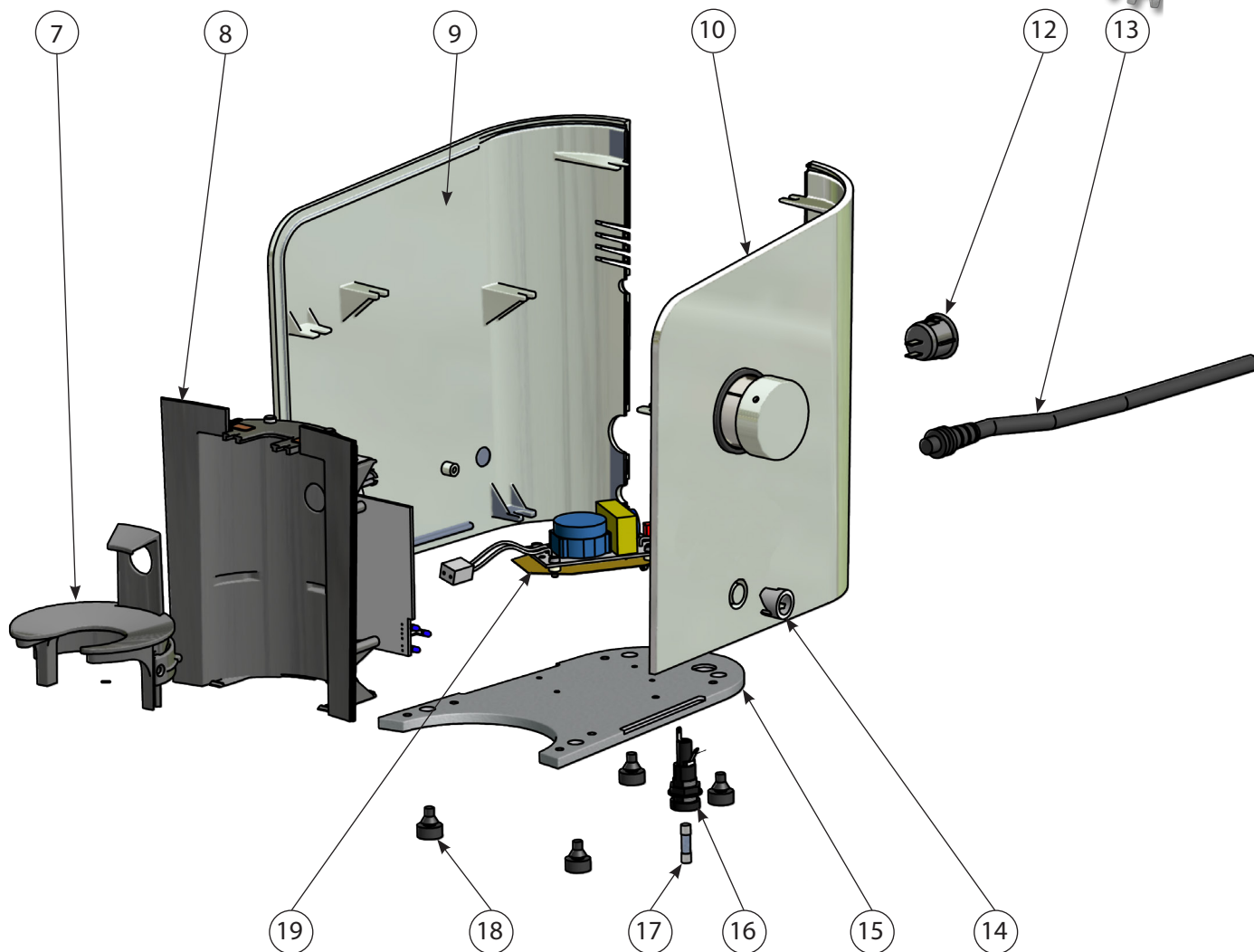


Model: ProD Espresso 200-240V 50/60Hz

ARTICLE NO.	DRAWING NO.	DESCRIPTION
100485	2	Hopper ProD Espresso with lid
100751	3	Top housing assembly ProD Espresso DM
310624	4	Gasket grinder casing
100581	5	EK8 built-in grinder fine 200-240V 50/60Hz
310183	6	Spout gasket



SPARE PARTS LIST - ProD ESPRESSO - 200-240V 50/60Hz

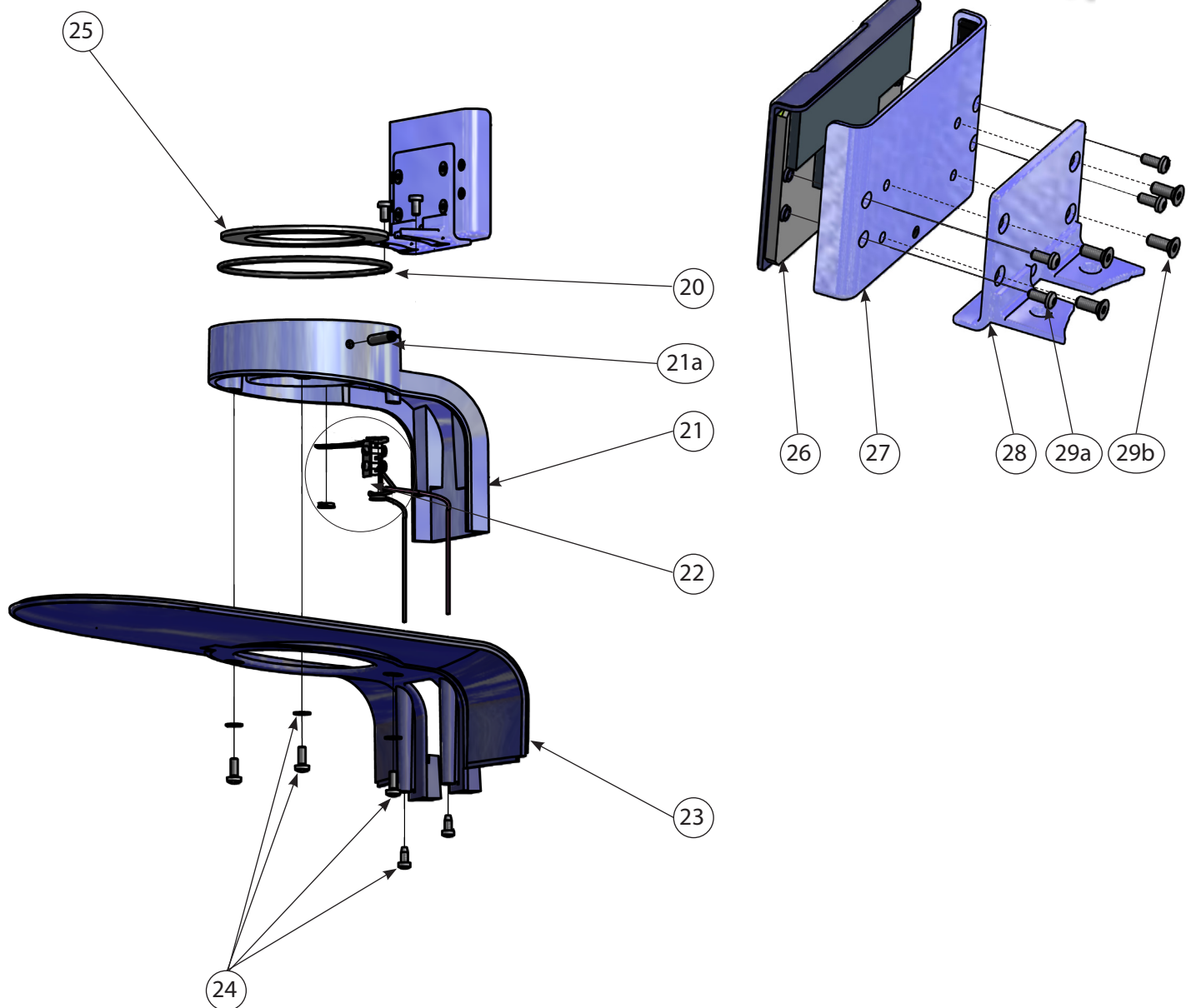


Model: ProD Espresso 200-240V 50/60Hz

ARTICLE NO.	DRAWING NO.	DESCRIPTION
100994	7	Portafilter holder ProD Espresso
-	8	Front panel complete (see page 5)
310033	9	Side panel left
100743	10	Side panel right ProD Espresso
310433	12	Rocker switch round
310591	13	Power cord, quarter-turn Schuko-plug, with bend protection
310170	14	Lucent ring
310225	15	Base plate
310537	16	Fuse holder
310904	17	Safety fuse T1,8A L slow
310706	18	Rubber feet, pack of 4
100249	19	EMC-board 230V



SPARE PARTS LIST - ProD ESPRESSO - 200-240V 50/60Hz

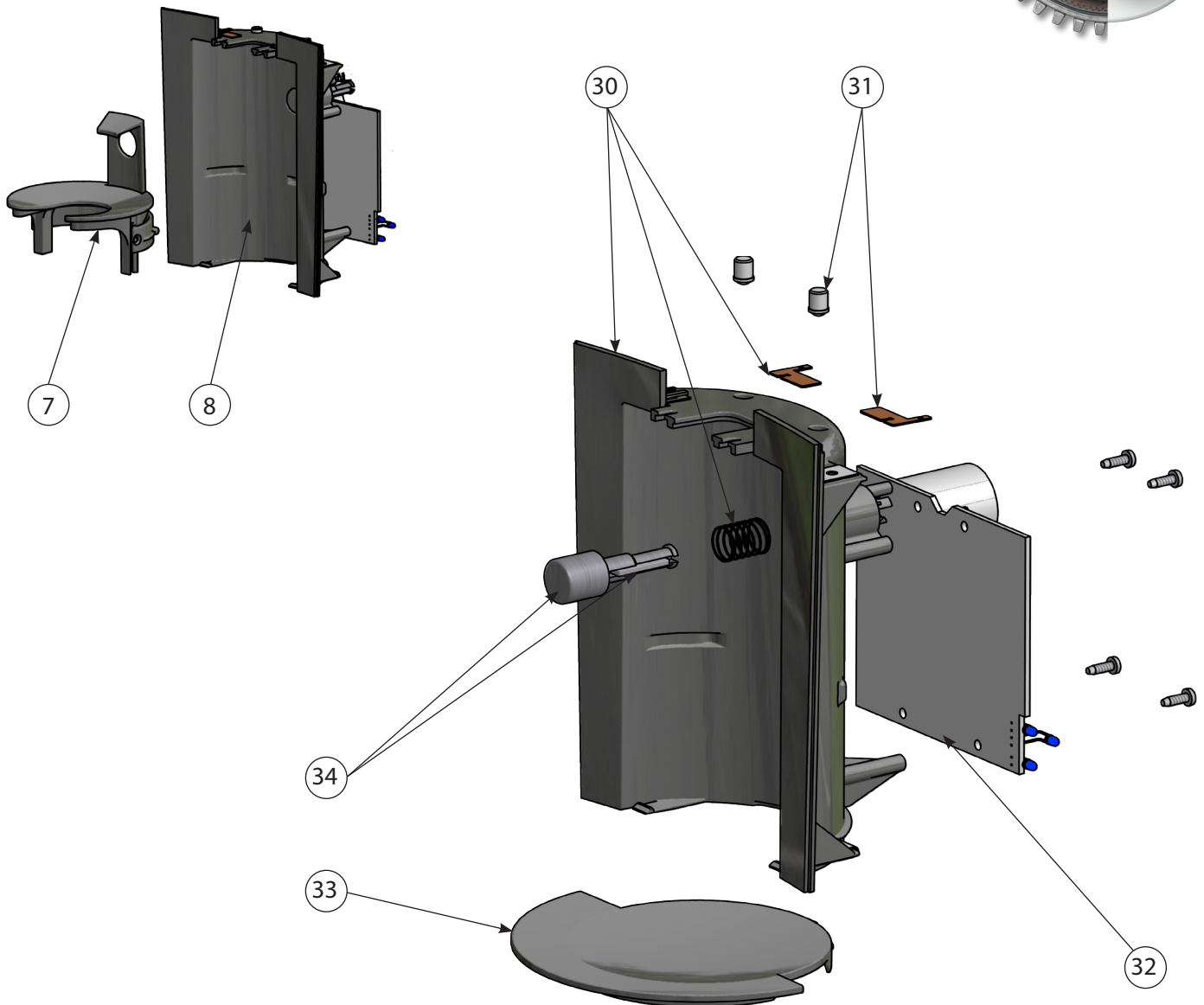


Model: ProD Espresso 200-240V 50/60Hz

ARTICLE NO.	DRAWING NO.	DESCRIPTION
310468	20	O-ring 71 x 2mm
100751	21	Spout cover ProD Espresso
100200	21a	Treaded pin with peak M4x20
310709	22	Micro switch, service pack
310058	23	Upper panel
310714	24	Small parts set, cover
100748	25	Seal ring hopper ProD
100295	26	Frontpanel Display ProD Espresso
100817	27	Rear Panel Display ProD Espresso
100816	28	Bracket Display ProD Espresso
100394	29a	Screw ProD Espresso Display 2,5*6
100395	29b	Screw for thermoplast 3x8



SPARE PARTS LIST - ProD ESPRESSO - 200-240V 50/60Hz

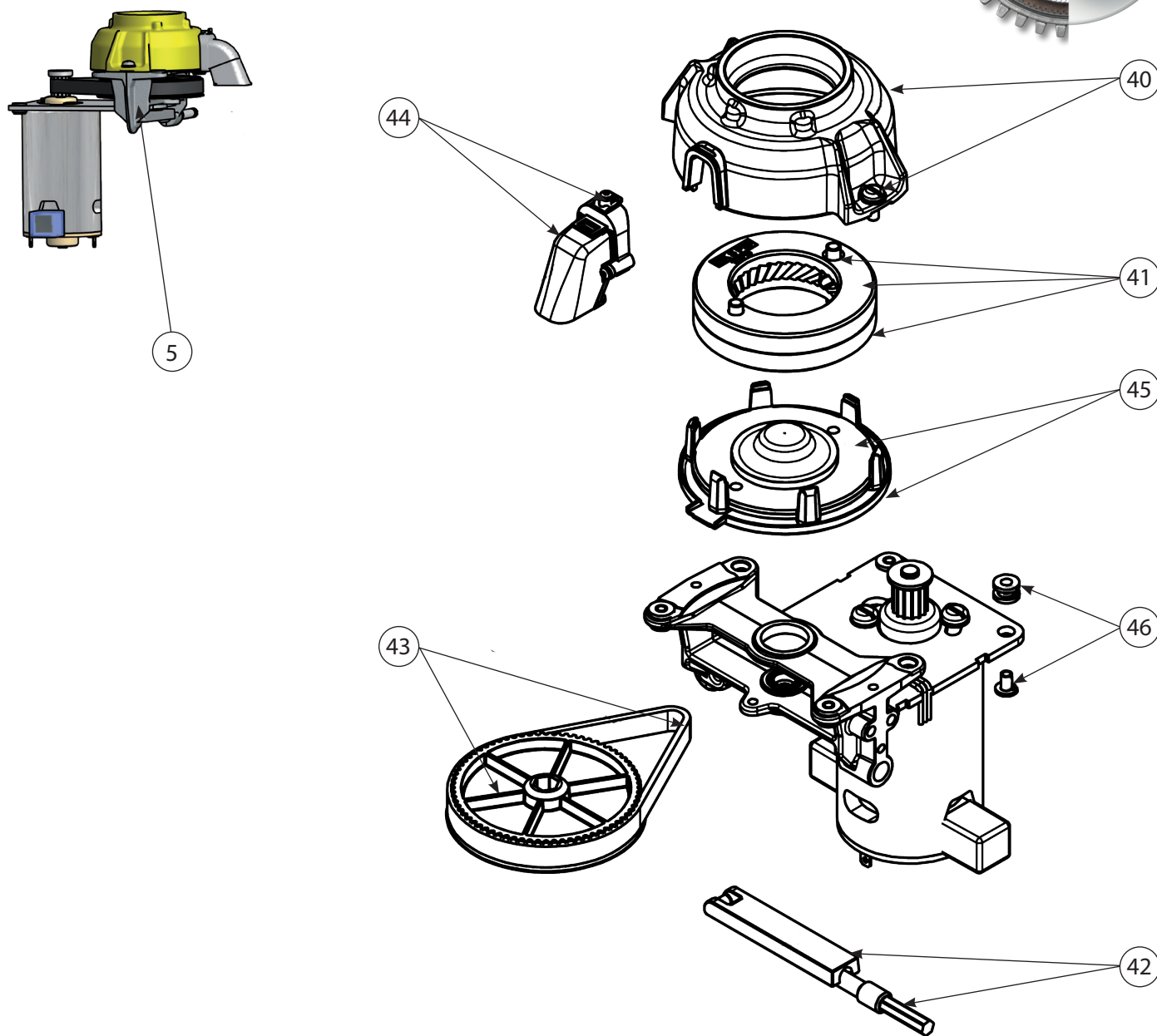


Model: ProD Espresso 200-240V 50/60Hz

ARTICLE NO.	DRAWING NO.	DESCRIPTION
100994	7	Portafilter holder ProD Espresso
-	8	Front panel complete
102009	30	Front panel ProD Espresso, service pack
310711	31	Small parts set, front panel
100950	32	Power board ProD Espresso 200-240V, service pack
310062	33	Residue tray ProD
310713	34	Start button, service pack



SPARE PARTS LIST - ProD ESPRESSO - 200-240V 50/60Hz

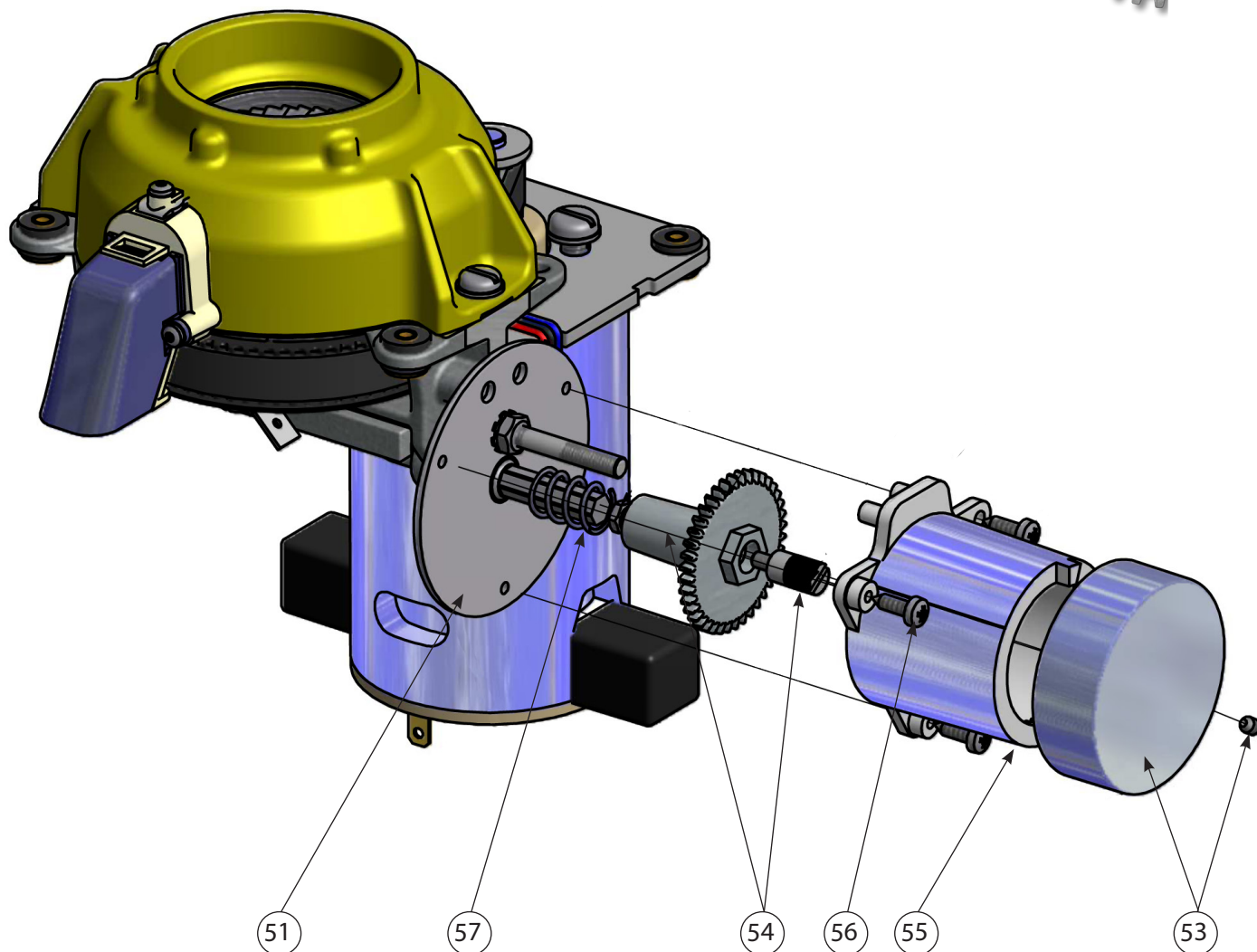


Model: ProD Espresso 200-240V 50/60Hz

ARTICLE NO.	DRAWING NO.	DESCRIPTION
100581	5	EK8 built-in grinder fine 200-240V 50/60Hz
101017	40	Grinder casing cover EK8, service pack
101019	41	Grinding disc set EK8 pro,m service pack
101022	42	Adjustment EK8 ProM Espresso, service pack
101021	43	Belt / wheel EK8, service pack
101018	44	Spout EK8 200-240V, service pack
101020	45	Rotating burr carrier EK8, service pack
101023	46	Damper EK8, service pack



SPARE PARTS LIST - ProD ESPRESSO - 200-240V 50/60Hz



Model: ProD Espresso 200-240V 50/60Hz

ARTICLE NO.	DRAWING NO.	DESCRIPTION
310091	-	Rubber gasket grind adjustment
100426	51	Mounting sheet grind adjustment ProD Espresso
310731	53	Adjustment knob grind adjustment, service pack
100978	54	Grind adjustment lock ProD Espresso
100766	55	Scale ring interior toothed ProD Espresso
311067	56	Tapping screw ISO7049 DIN7981-2.9x9.5
100481	57	Pressure spring Grind adjustment ProD Espresso



SPARE PARTS LIST - ProD ESPRESSO - 200-240V 50/60Hz

Changes In The Spare Parts List:

VALID FROM VERSION	ARTICLE NO.	DRAWING NO.	DESCRIPTION	COMMENT
4.1	101017	40	Grinder casing cover EK8, service pack	new service packs for EK8
4.1	101019	41	Grinding disc set EK8 pro,m service pack	new service packs for EK8
4.1	101022	42	Adjustment EK8 ProM Espresso, service pack	new service packs for EK8
4.1	101021	43	Belt / wheel EK8, service pack	new service packs for EK8
4.1	101018	44	Spout EK8, service pack	new service packs for EK8
4.1	101020	45	Rotating burr carrier EK8, service pack	new service packs for EK8
4.1	101023	46	Damper EK8, service pack	new service packs for EK8
4.1	100978	54	Grind adjustment lock, ProD Espresso	replaces 100420 & 100385
4.2	102009	30	Front panel ProD Espresso, service pack	pre-assembled front panel
4.3	310468	20	O-ring 71 x 2mm	new in spare parts list
4.4	100751	3	Top housing assembly ProD Espresso DM	new in spare parts list
4.5	100249	19	EMC-board 230V	new part number (replaces 310659)