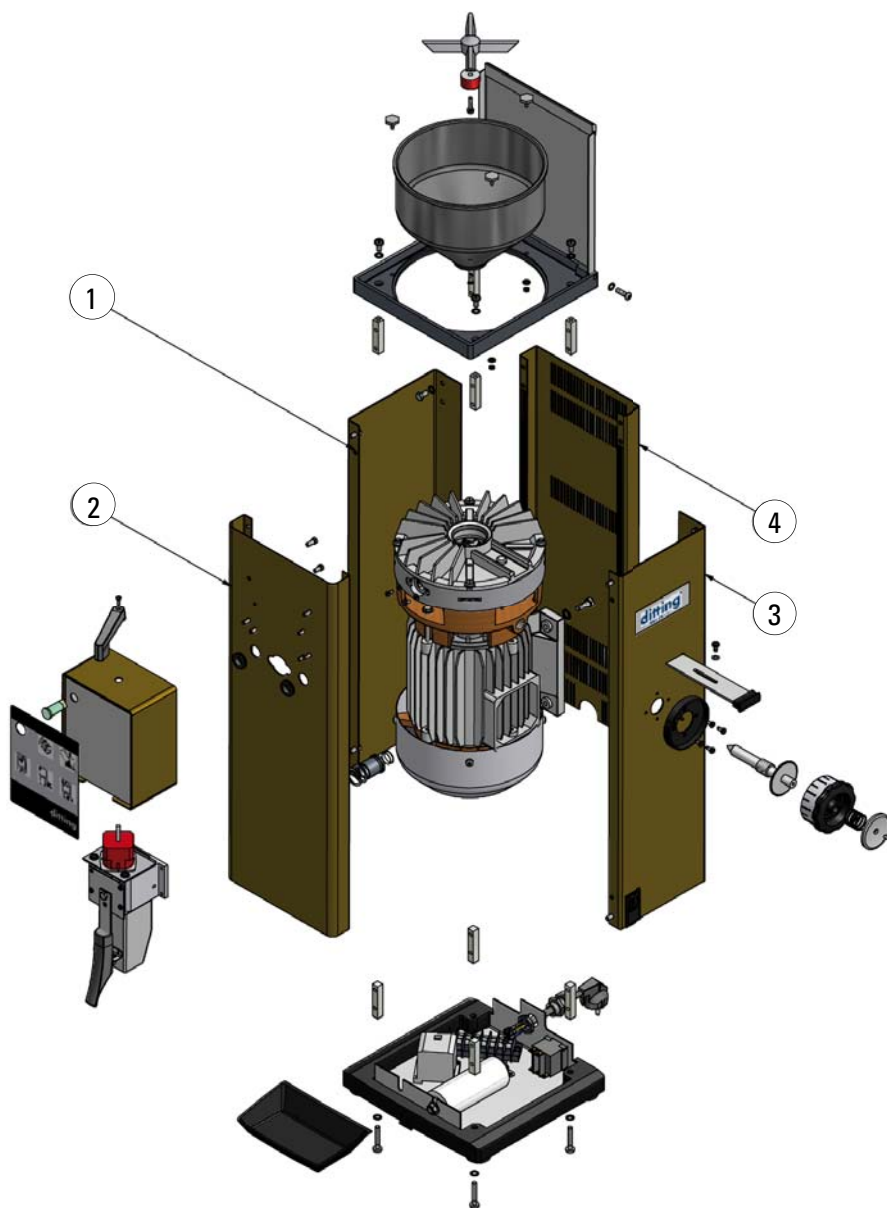


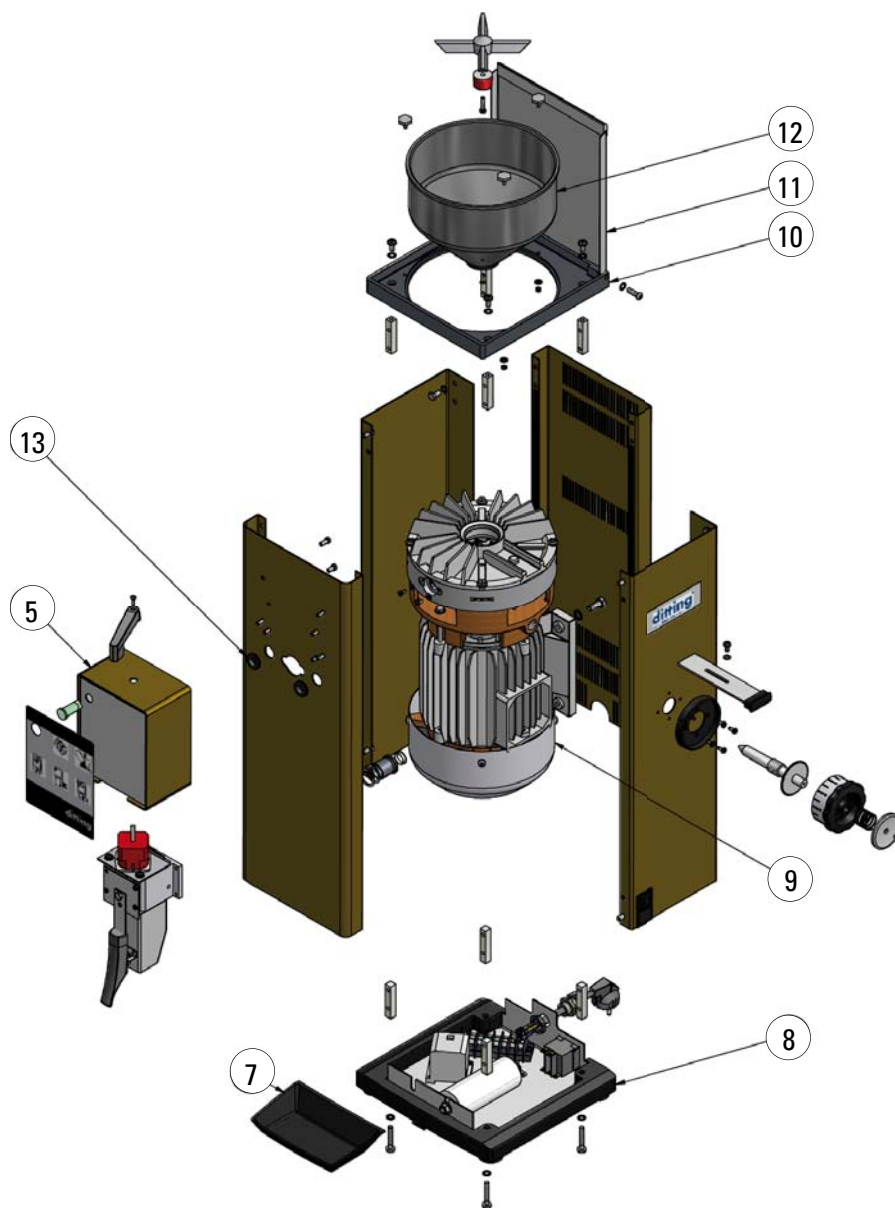
Valid from 01.01.2013  
Supersedes all previously issued spare parts lists

Subject to change without prior notice.



Type: KF 903, 220-240V 50Hz

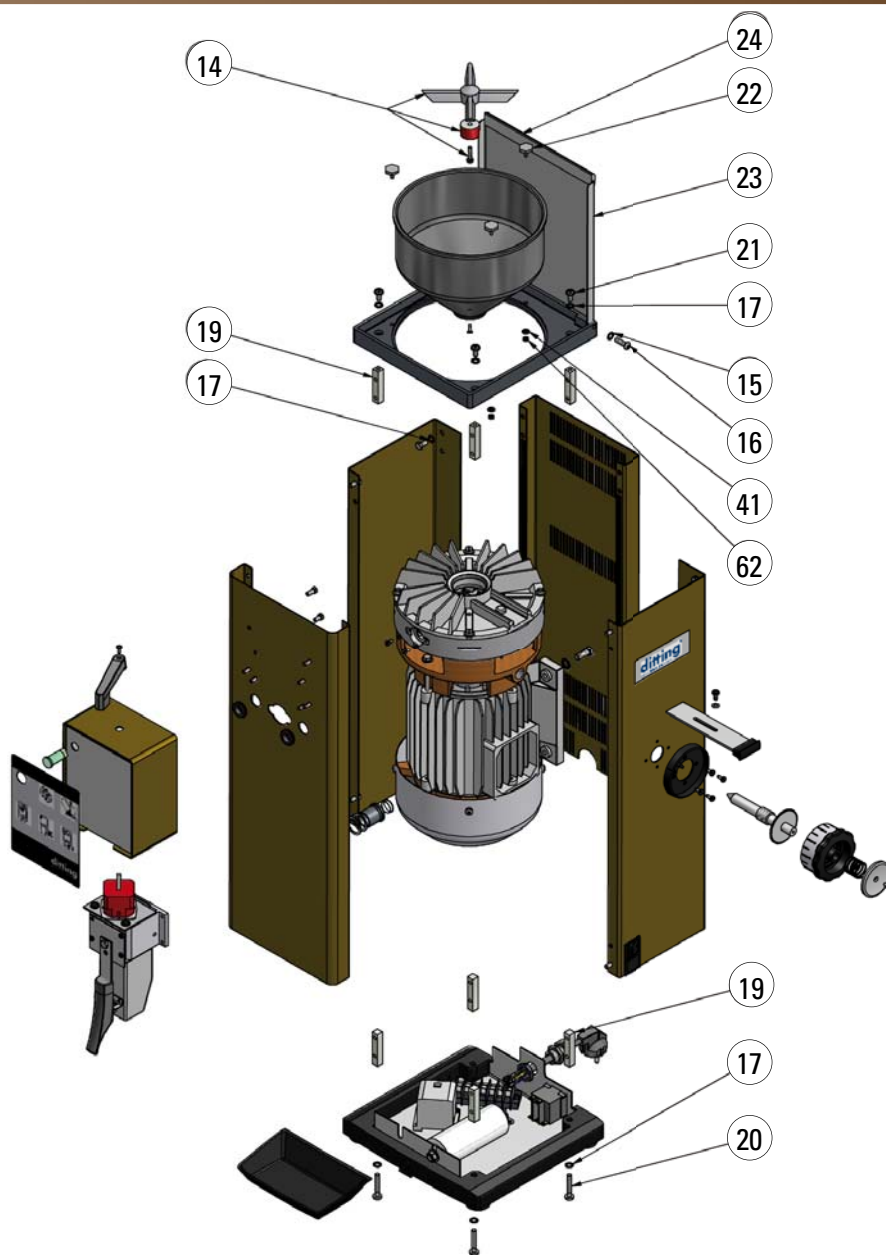
ARTICLE NO.	DRAWING NO.	DESCRIPTION	QUANTITY
240058	1	Housing panel left, brown colour	1
240054	2	Housing panel, front, colour brown	1
240050	3	Housing panel right, brown colour	1
240048	4	Housing panel back, brown colour	1



Type: KF 903, 220-240V 50Hz

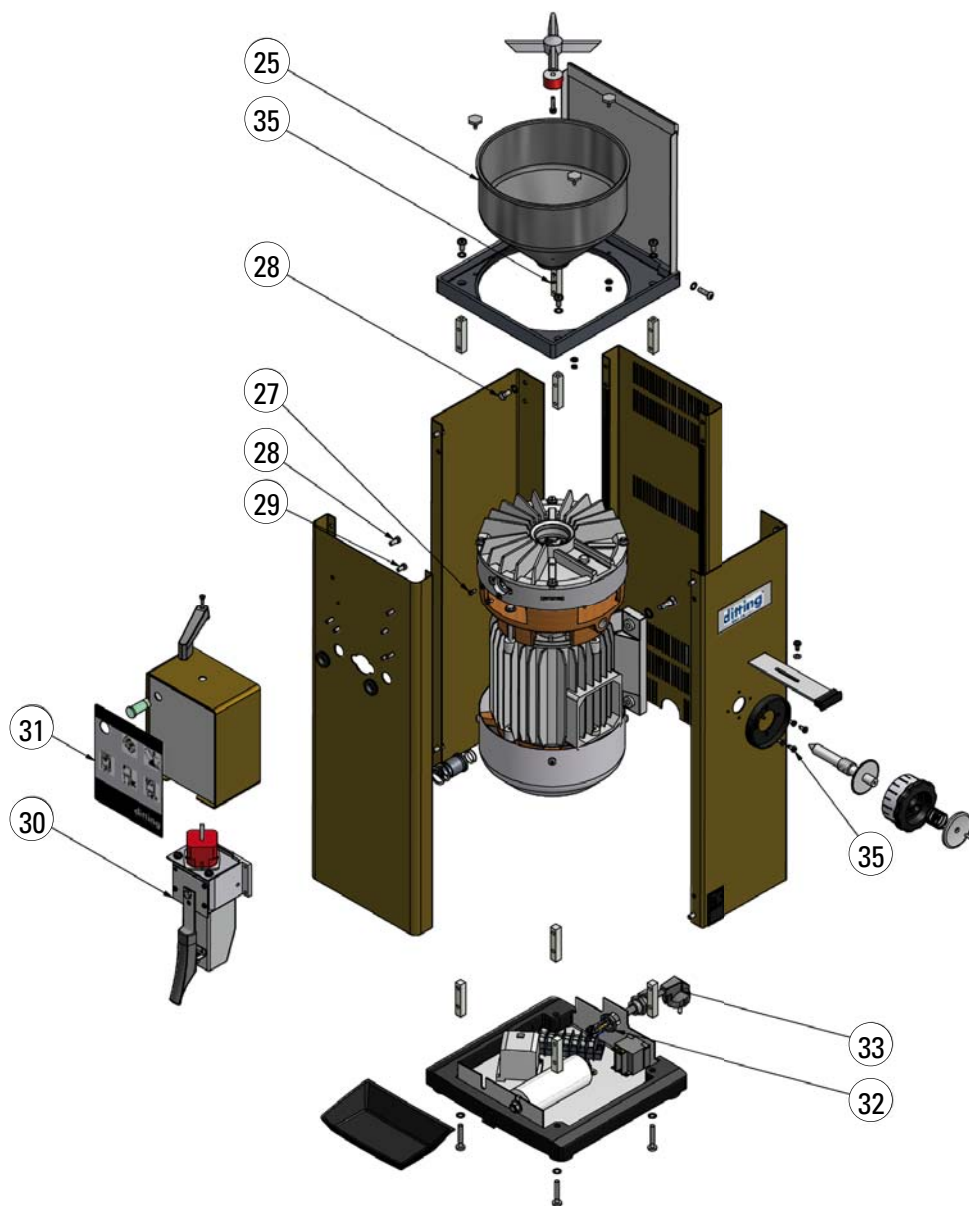
ARTICLE NO.	DRAWING NO.	DESCRIPTION	QUANTITY
240440	5	Discharge housing, brown colour	1
230205	7	Tray black colour	1
230292	8	Bottom plate	1
240515	9	Motor assembly	1
241351	10	Cover plate, black colour	1
240697	11	Cover assy, complete	1
240382	12	Hopper, 0,5kg (1,10 lbs), pre-assembled	1
255700	13	Cable gland 18x1	2

SPARE PARTS LIST - KF 903, 220-240V 50Hz



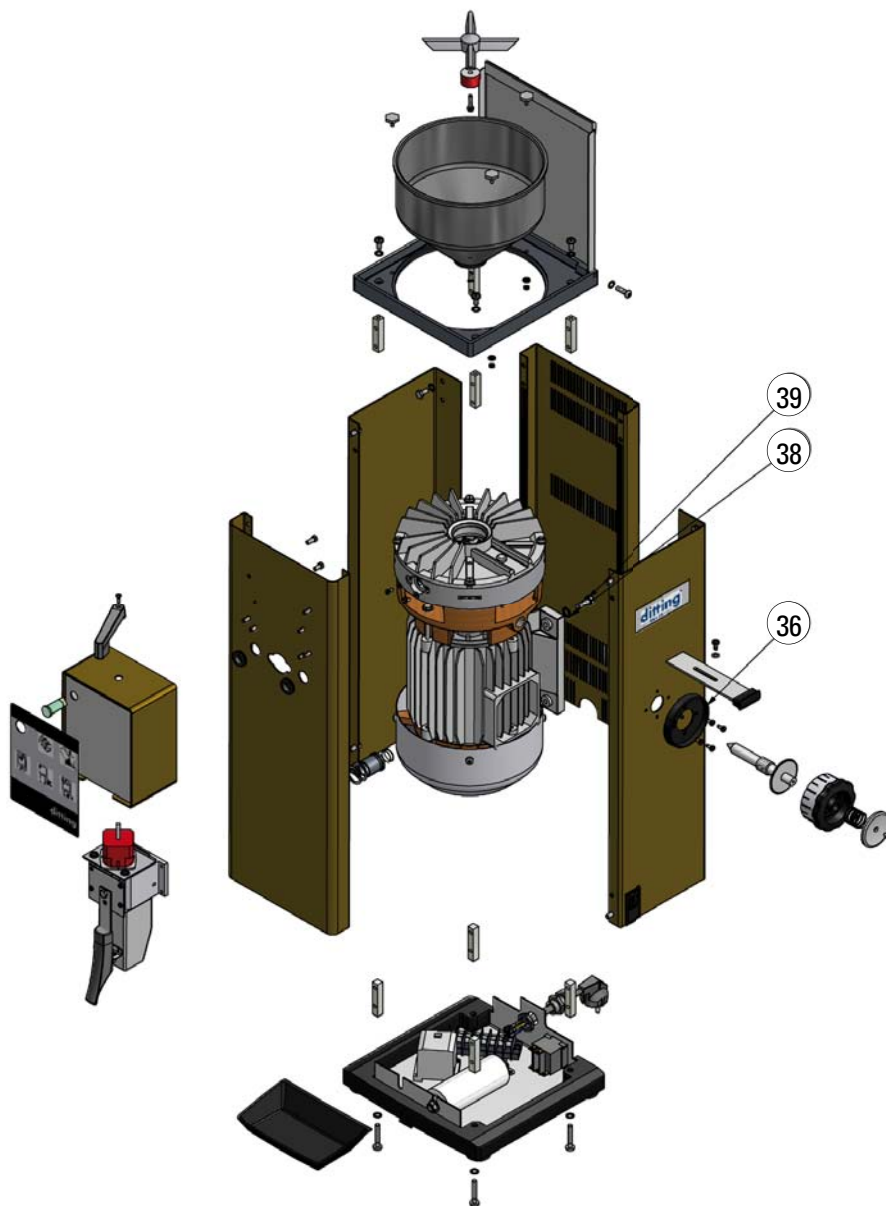
Type: KF 903, 220-240V 50Hz

ARTICLE NO.	DRAWING NO.	DESCRIPTION	QUANTITY
240198	14	Magnet with holder	1
251504	15	Washer M4 DIN 6797 J zincked	2
250003	16	Scew In-6kt DIN 6912-M4x20-8.8	2
251528	17	Washer M5 DIN 6797 A zincked	12
240237	19	Bolt	8
250417	20	Scew ISO 7045-M5x22 zincked	4
250440	21	Scew ISO 7045-M5x12 Ks H zincked	4
240483	22	Scew	3
220028	23	Cover	1
240232	24	Ledge for Cover	1
251516	41	Washer M4 zincked	3
251004	62	Nut M4x0.8d DIN 934 zincked	3



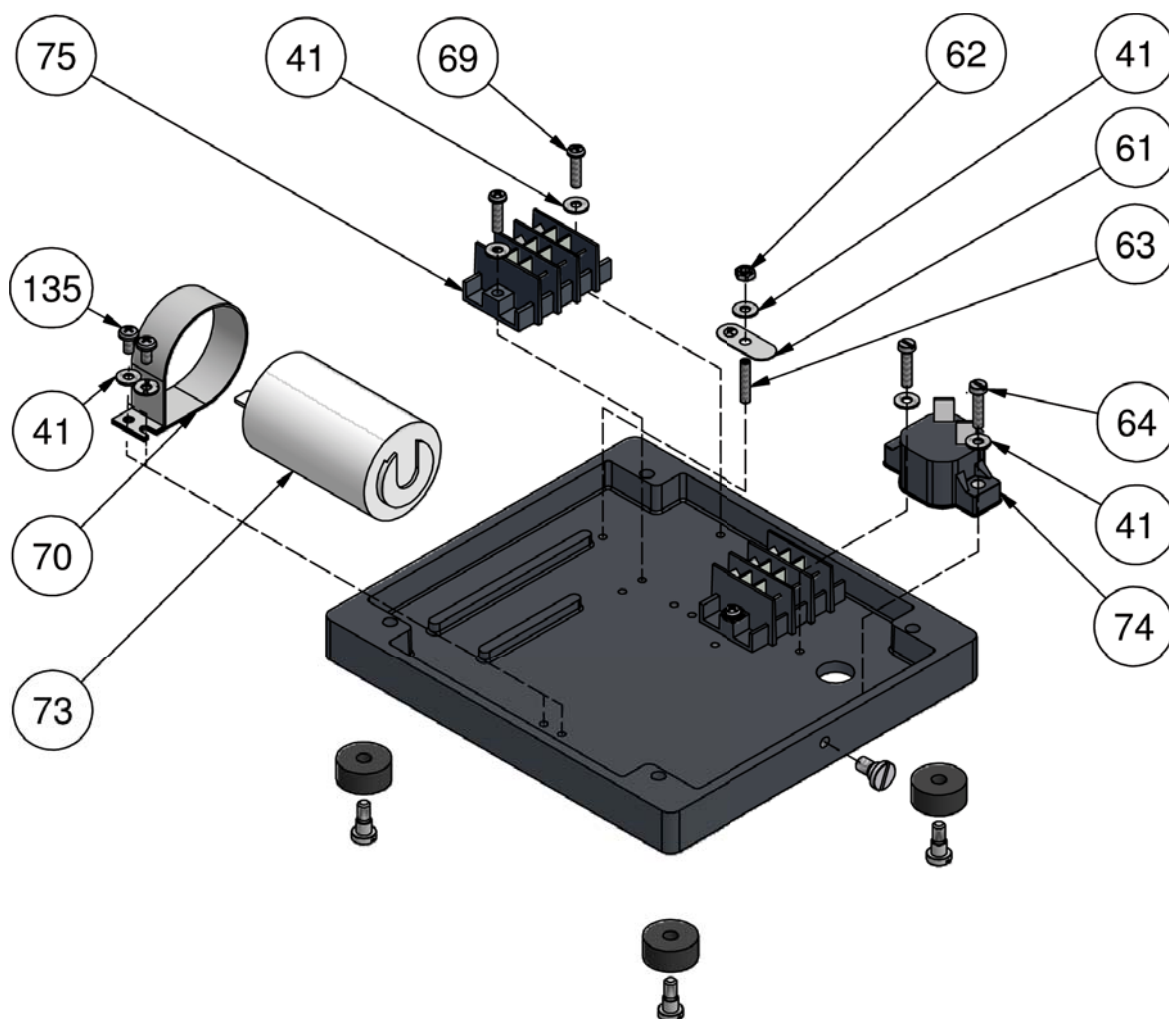
Type: KF 903, 220-240V 50Hz

ARTICLE NO.	DRAWING NO.	DESCRIPTION	QUANTITY
101275	25	Hopper 0,5kg (1,10 lbs)	1
250403	27	Screw ISO 1207-M4x8 z1	2
250306	28	Screw ISO 4017-M5x12 zincked	12
250305	29	Screw ISO 4017-M5x10 zincked	4
241827	30	Discharge assy	1
230110	31	Operating panel, english language	1
230115	31	Operating panel, german language	1
	31	Operating panel, different language	1
251010	32	Hexagonal nut PG11 L DIN 46320-FS/PA	1
240147	33	Cable 3 x 1	1
243155	34	Cable with safety plug	1
250907	35	Tapping screw ISO 1481-4.2x6.5	6



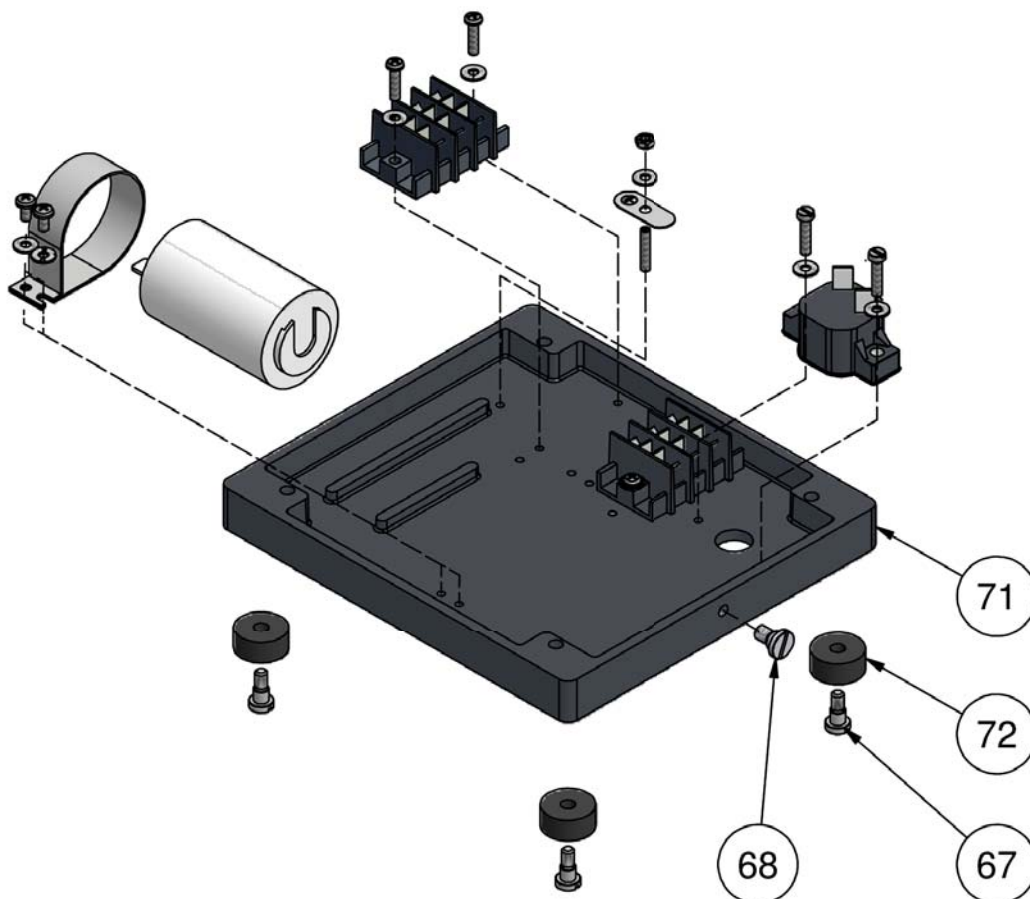
Type: KF 903, 220-240V 50Hz

ARTICLE NO.	DRAWING NO.	DESCRIPTION	QUANTITY
230049	36	Collar	1
250311	38	Screw ISO 4017-M6x20 zincked	4
251502	39	Lock washer M6 DIN 6797 A zincked	4



Type: KF 903, 220-240V 50Hz

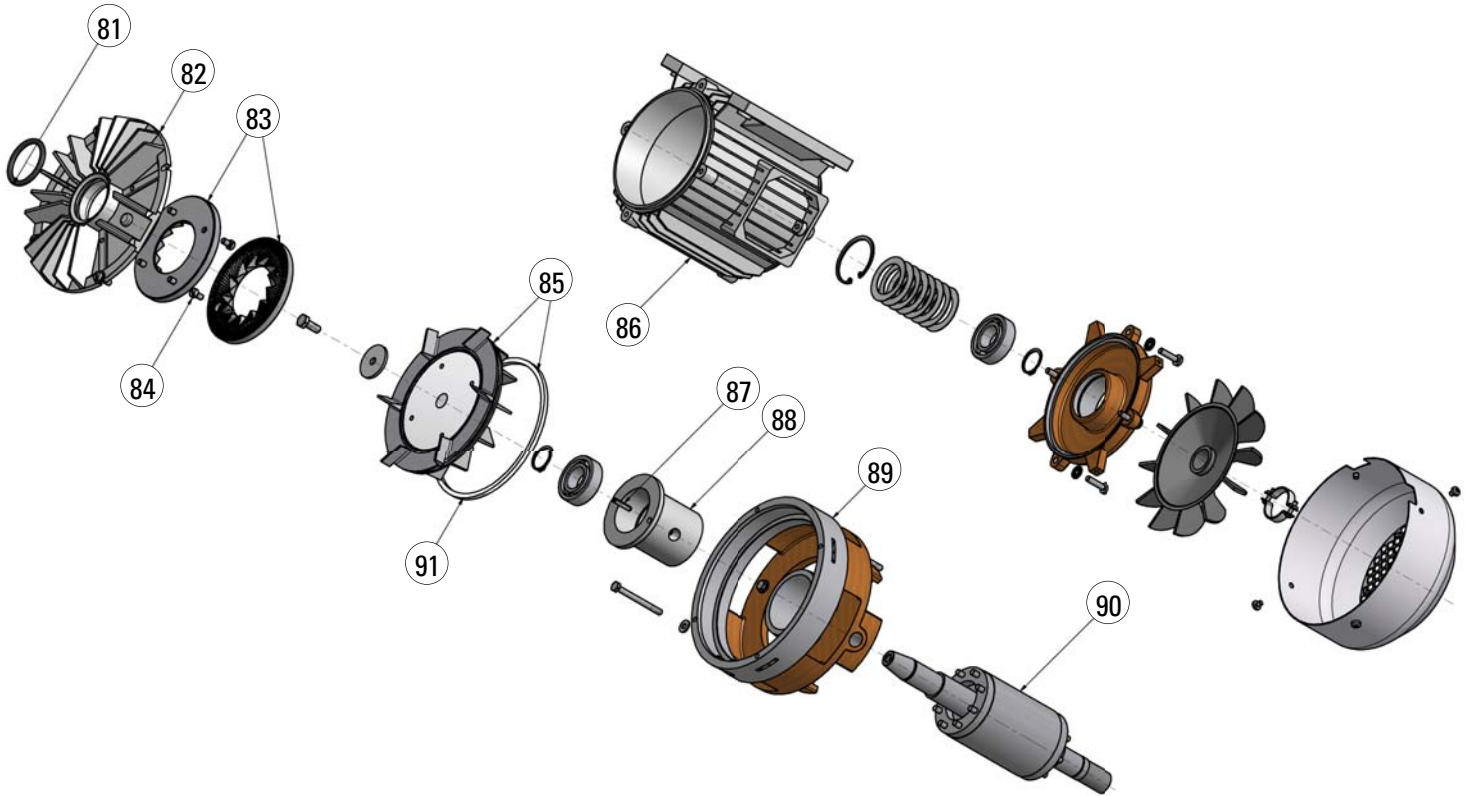
ARTICLE NO.	DRAWING NO.	DESCRIPTION	QUANTITY
251516	41	Washer M4	10
240234	61	Ground plate	1
251004	62	Hexagonal nut M4x0.8d DIN 934	2
250700	63	Screw ISO 4766-M4x20 zincked	1
250412	64	Screw ISO 1207-M4x18 zincked	2
250409	69	Screw ISO 1207-M4x16 zincked	4
254805	70	Clamp Ø45	1
257306	73	Capacitor 20 Mfd 400 V DB	1
257105	74	Klixon 6A	1
256401	75	Buss 6.3 3pol	2
250427	135	Screw ISO 7045-M4x8 Ks H	2



Type: KF 903, 220-240V 50Hz

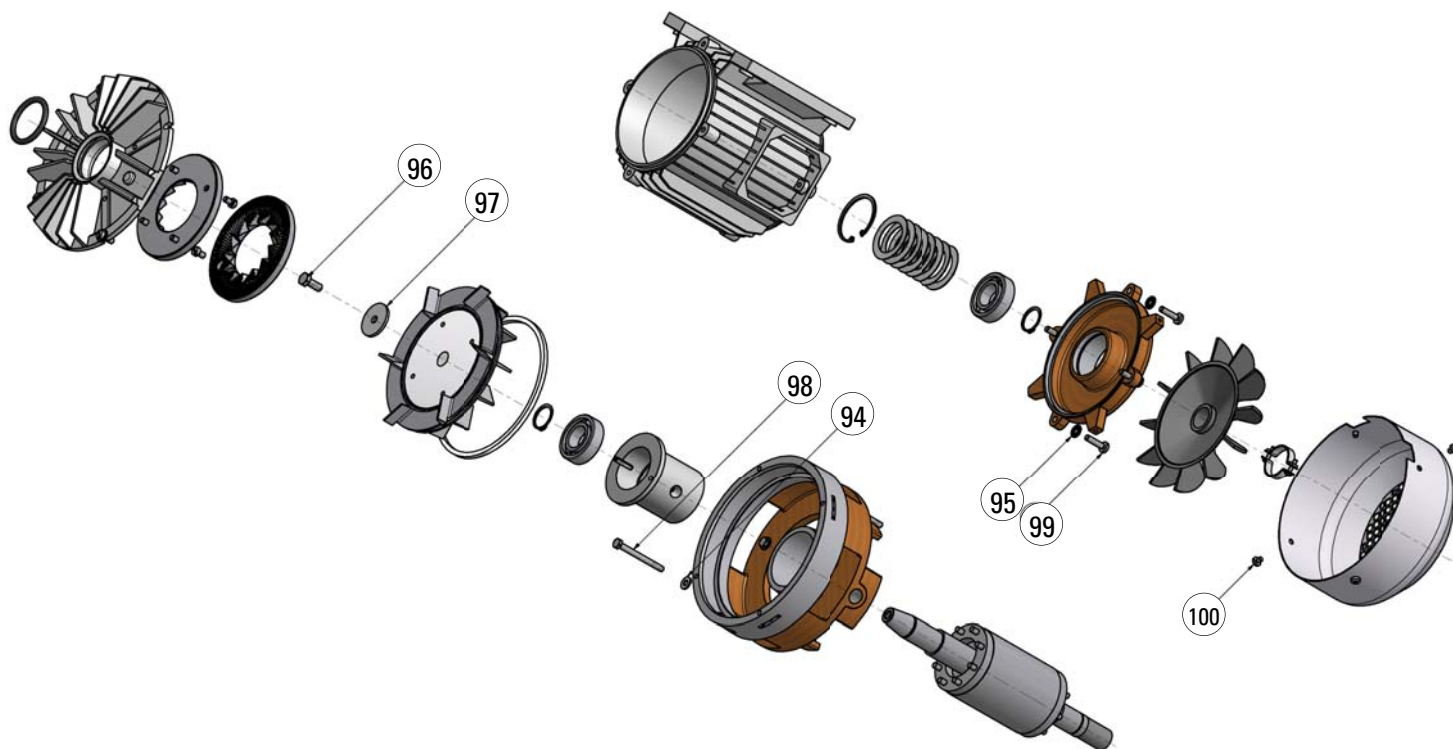
ARTICLE NO.	DRAWING NO.	DESCRIPTION	QUANTITY
240233	67	Screw	4
240107	68	Tray holder	1
241350	71	Bottom plate	1
240113	72	Rubber foot	4





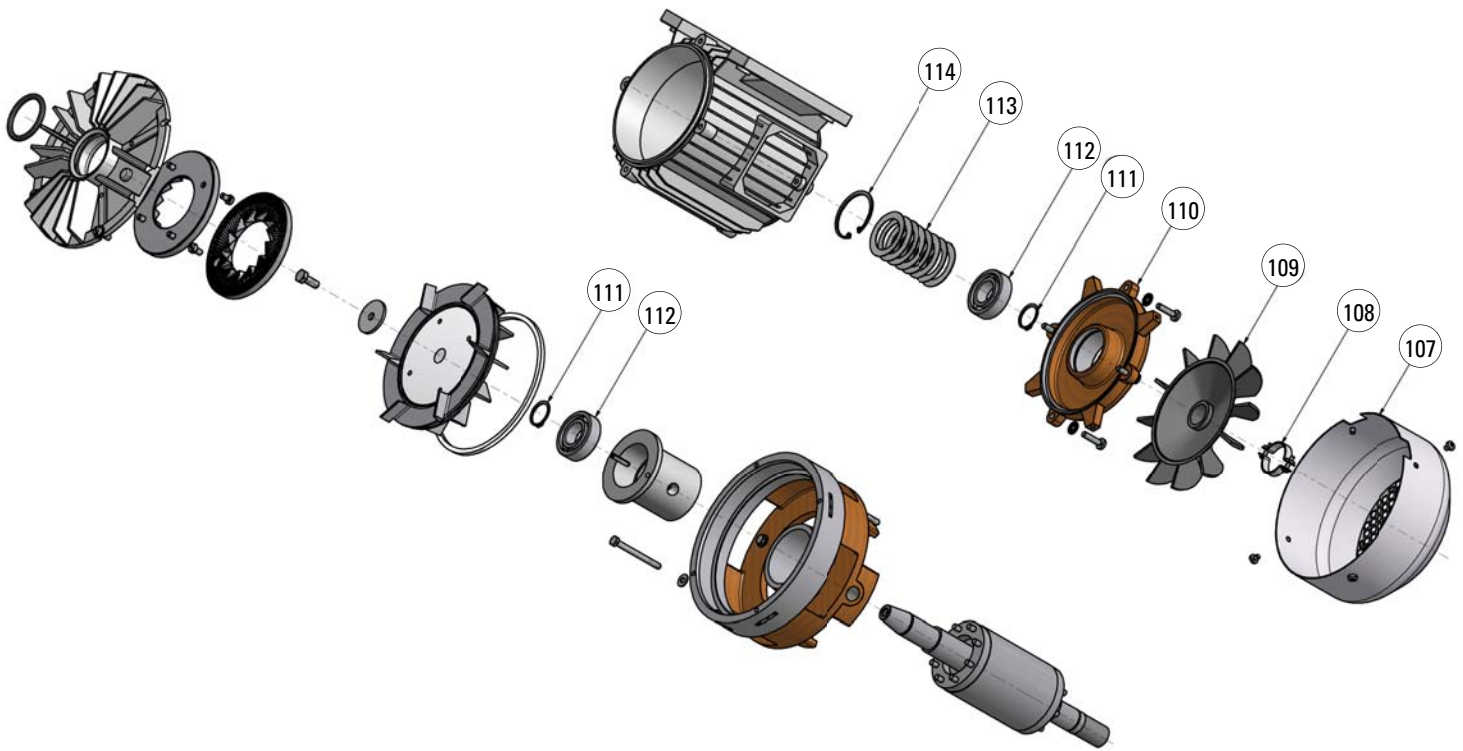
Type: KF 903, 220-240V 50Hz

ARTICLE NO.	DRAWING NO.	DESCRIPTION	QUANTITY
255500	81	O-Ring 5.34x37.49 NBR 70 Shore A DIN 3771	1
230014	82	Stationary disc flange Ø90	1
275400	83	Set of grinding discs Ø 90	1
250420	84	Screw ISO 1207-M6x10 zincked	8
240487	85	Rotary disc flange Ø 90	1
240592	86	Stator	1
254410	87	Screw 4x18 VSM 12785	1
240249	88	Ball bearing sleeve	1
220030	89	Housing	1
230007	90	Rotor	1
240001	91	Felt ring	1



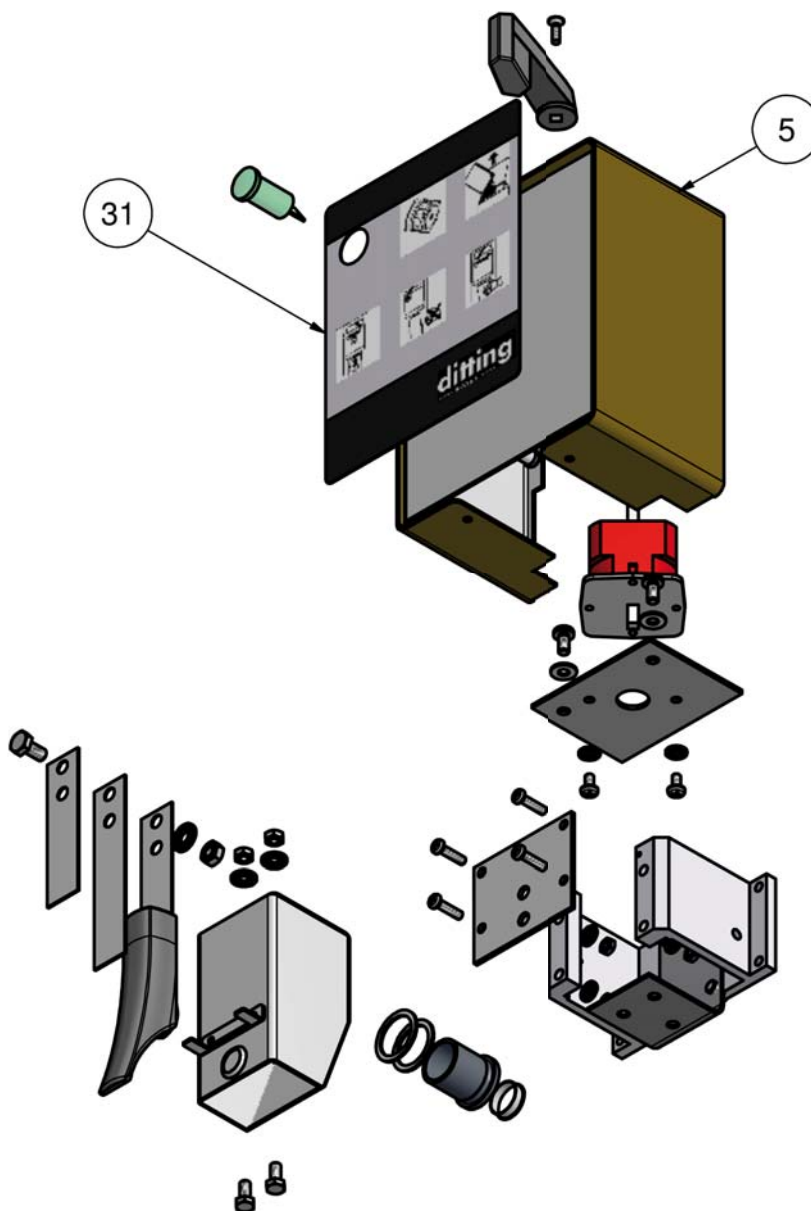
Type: KF 903, 220-240V 50Hz

ARTICLE NO.	DRAWING NO.	DESCRIPTION	QUANTITY
251511	94	Washer 5.3x15x2 DIN 7349 zincked	3
251518	95	Washer M6, Geomet 500	4
250311	96	Screw ISO 4017-M6x20 zincked	1
240409	97	Washer 38/6.15 x 2.5 zincked	1
250303	98	Screw ISO 4017-M5x50 zincked	3
250417	99	Screw ISO 7048-M6x25 Ks H zincked	4
250413	100	Screw ISO 7048-M5x6 Ks H zincked	4



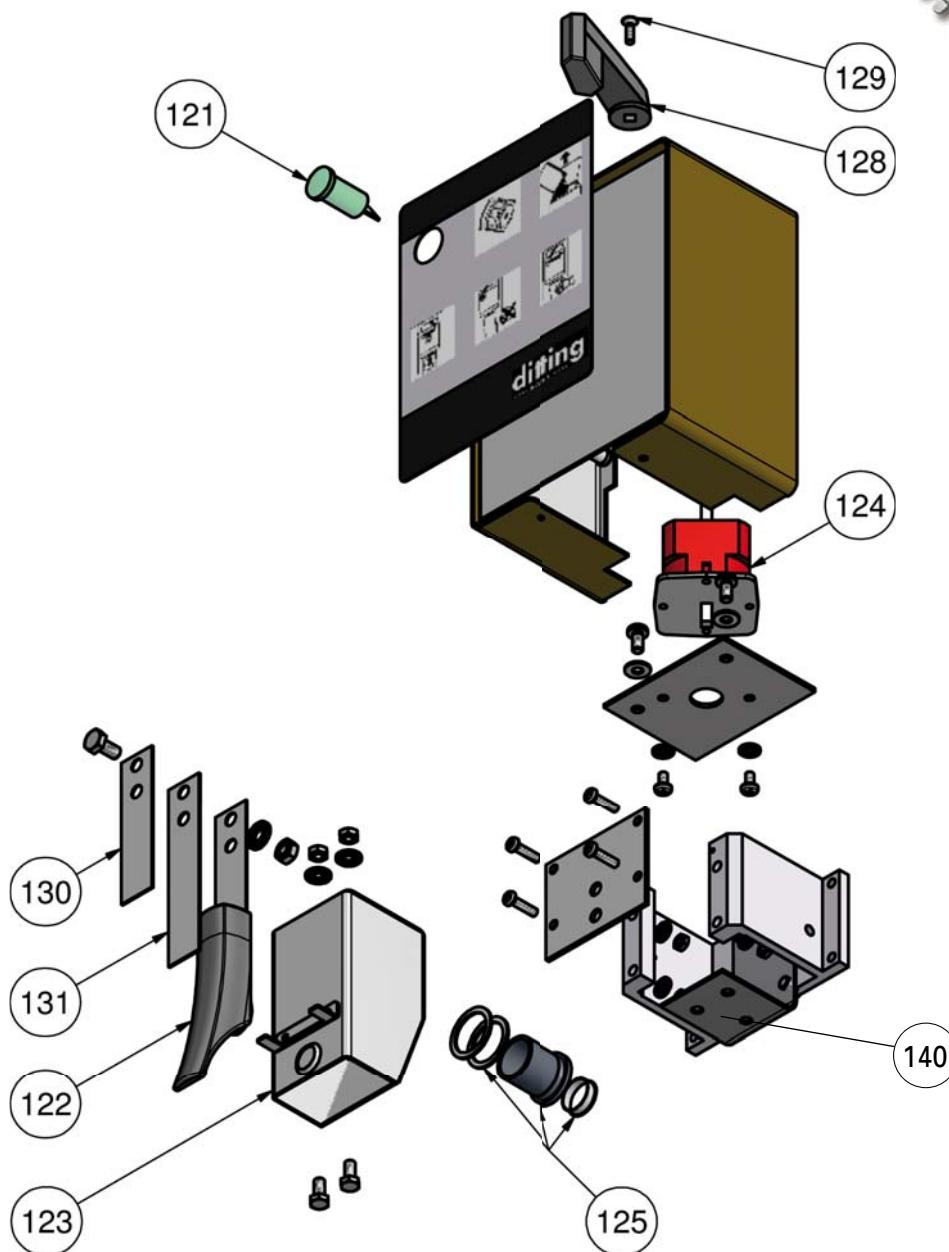
Type: KF 903, 220-240V 50Hz

ARTICLE NO.	DRAWING NO.	DESCRIPTION	QUANTITY
240647	107	Ventilation hood	1
254807	108	Clamp collar D25x8	1
255904	109	Fan blade MV 80-19	1
230054	110	Bearing support housing	1
252005	111	Circlip 20Ax1.2 DIN 471	2
254001	112	Ball bearing 20x47x14	2
252402	113	Plate spring 46.5x30.5x0.6/1.5	8
252010	114	Circlip 47ix1.75 DIN 472	1



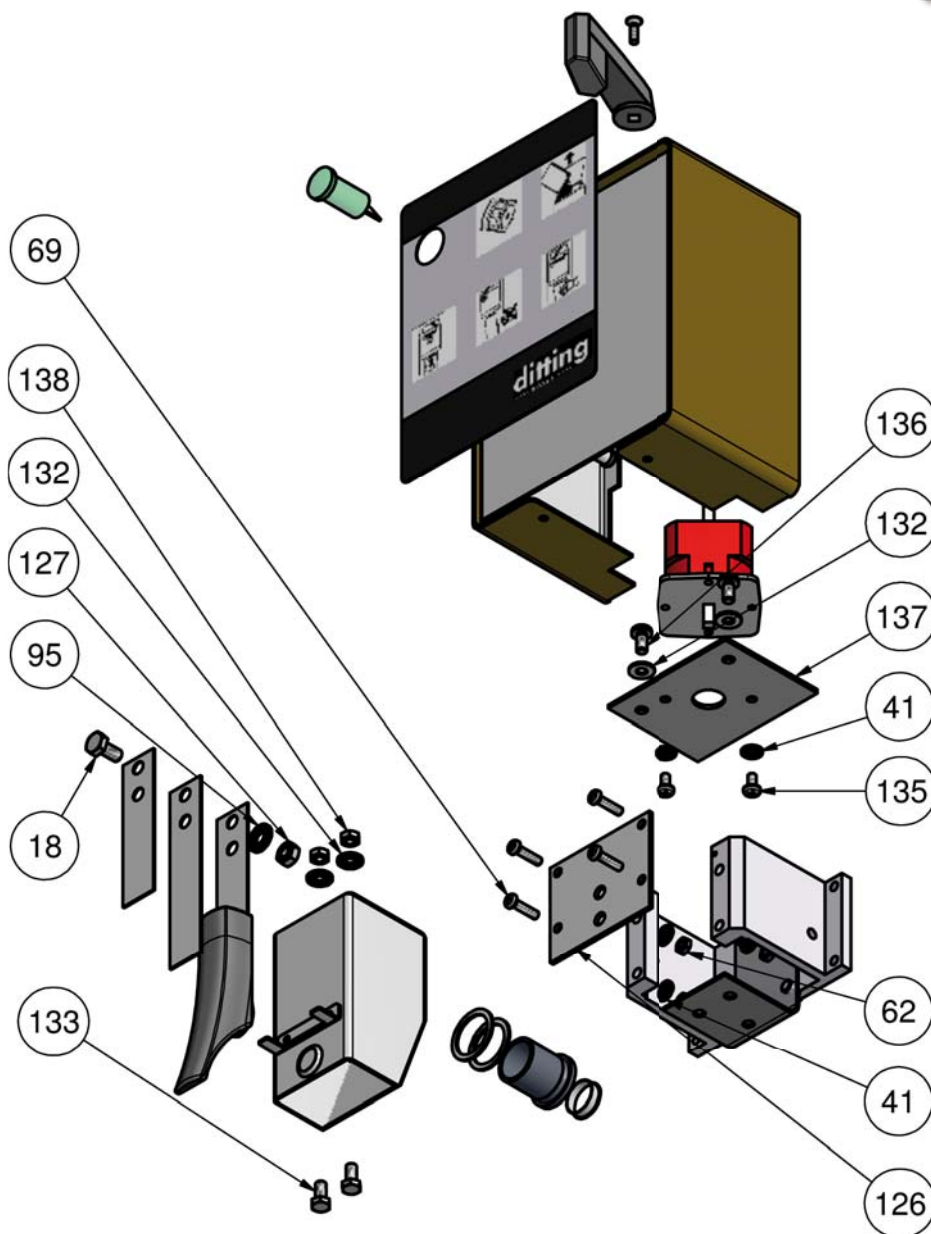
Type: KF 903, 220-240V 50Hz

ARTICLE NO.	DRAWING NO.	DESCRIPTION	QUANTITY
240440	5	Discharge housing, brown colour	1
230110	31	Operating panel	1
230115	31	Operating panel	1
	31	Operating panel, different language	1



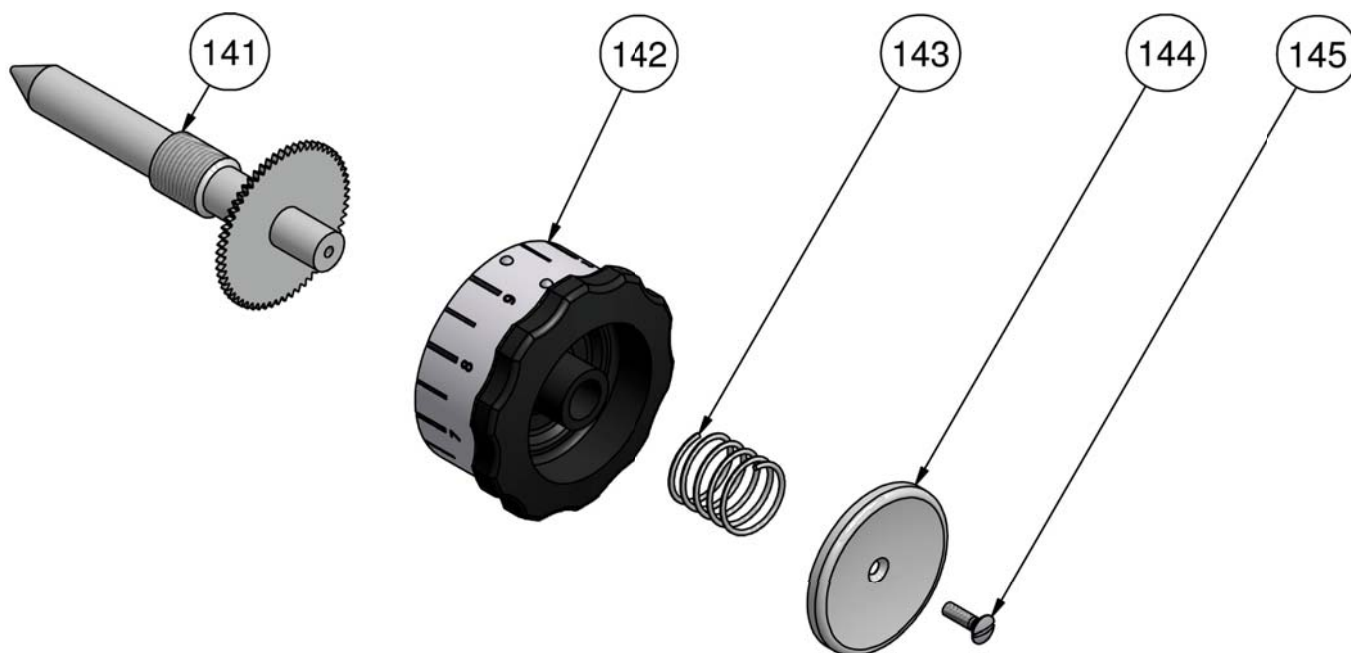
Type: KF 903, 220-240V 50Hz

ARTICLE NO.	DRAWING NO.	DESCRIPTION	QUANTITY
257604	121	Pilot lamp 230V green	1
243584	122	Bag holding lever	1
240628	123	Discharge tube	1
257402	124	Camshaft switch 2 pole UL	1
240197	125	Rubber tube assembly	1
240239	128	Switch handle	1
250213	129	Screw ISO 2010-M3.5x12 zincked	1
240250	130	Laminated spring	1
240251	131	Laminated spring	1
240241	140	Angle spring	1



Type: KF 903, 220-240V 50Hz

ARTICLE NO.	DRAWING NO.	DESCRIPTION	QUANTITY
250300	18	Screw ISO 4017-M6x12 zincked	1
251516	41	Washer M4 zincked	6
251004	62	Nut M4x0.8d DIN 934 zincked	2
250409	69	Screw ISO 7048-M4x16 Ks H zincked	4
251518	95	Washer M6, Geomet 500	2
240255	126	Plate	1
251006	127	Nut M6x0.8d DIN 934 zincked	2
251517	132	Washer M5, Geomet 500	4
250305	133	Screw ISO 4017-M5x10 zincked	2
250427	135	Screw ISO 7045-M4x8 Ks H zincked	2
250431	136	Screw ISO 7045-M5x10 Ks H zincked	2
240240	137	Mounting plate	1
251005	138	Nut M5x0.8d DIN 934 zincked	2



Type: KF 903, 220-240V 50Hz

ARTICLE NO.	DRAWING NO.	DESCRIPTION	QUANTITY
240501	141	Adjusting cone	1
241276	142	Adjusting knob, german language	1
240536	142	Adjusting knob, english language	1
		Adjusting knob, different language	1
240078	143	Spring F/UG/804-1403	1
240034	144	Cover F/UG/804-1403	1
250200	145	Screw ISO 2010-M4x14	1