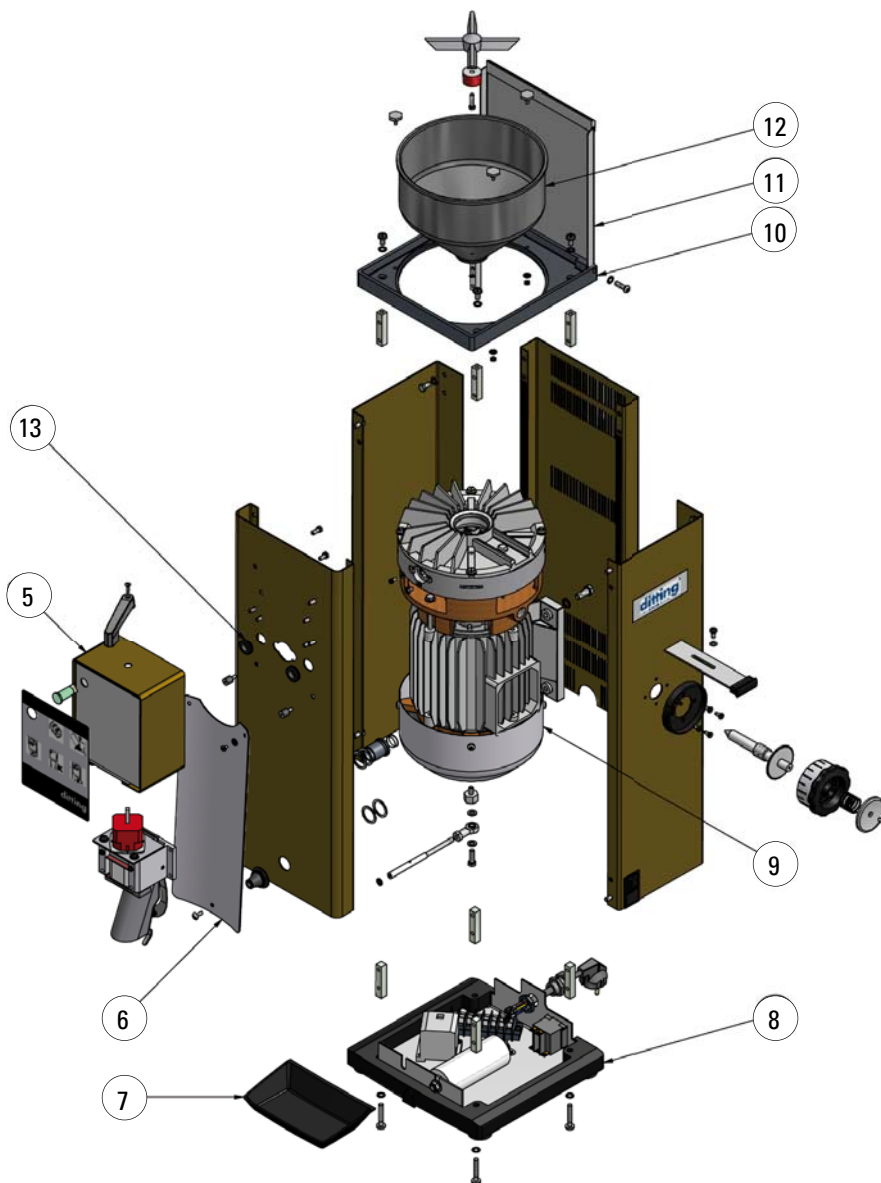


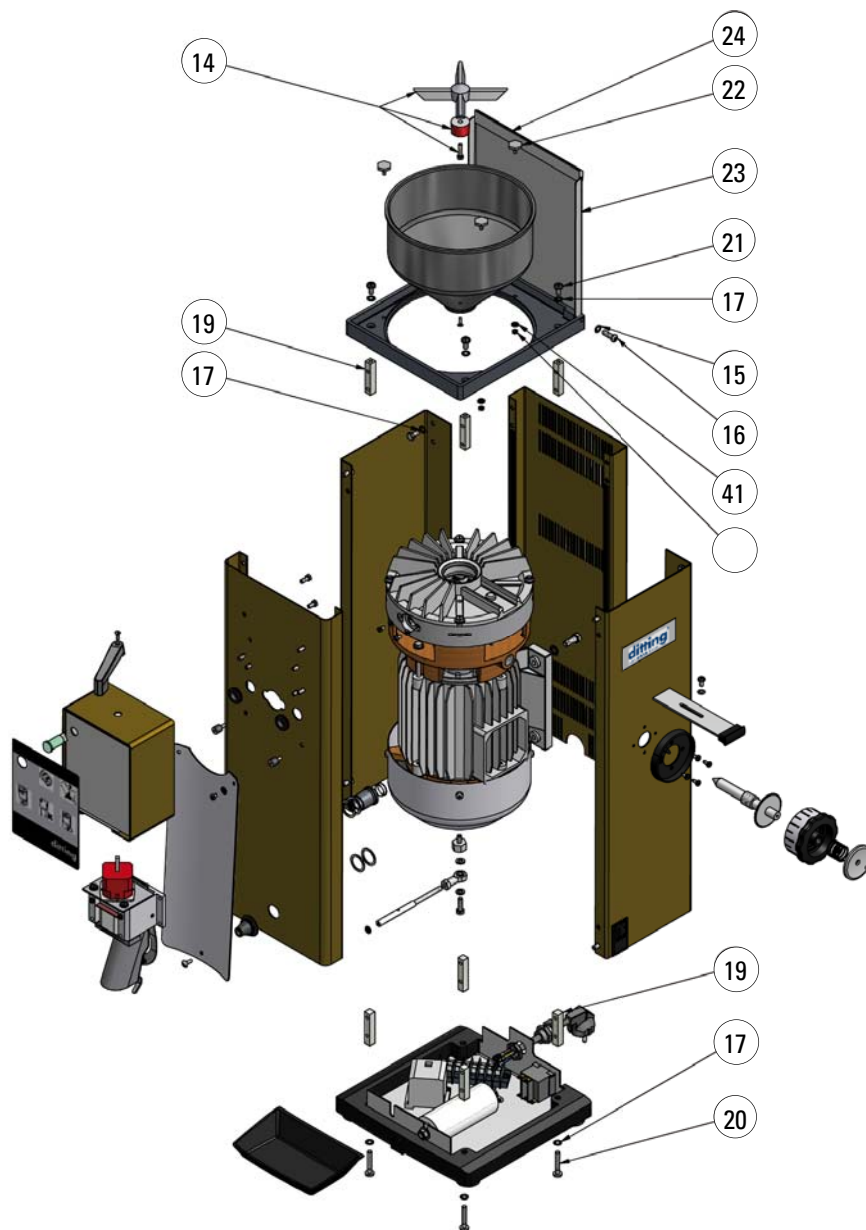
Type: KFR 903, 100V 60Hz

ARTICLE NO.	DRAWING NO.	DESCRIPTION	QUANTITY
240058	1	Housing panel left, brown colour	1
240056	2	Housing panel front, brown colour	1
240051	3	Housing panel right, brown colour, slider	1
240048	4	Housing panel back, brown colour	1



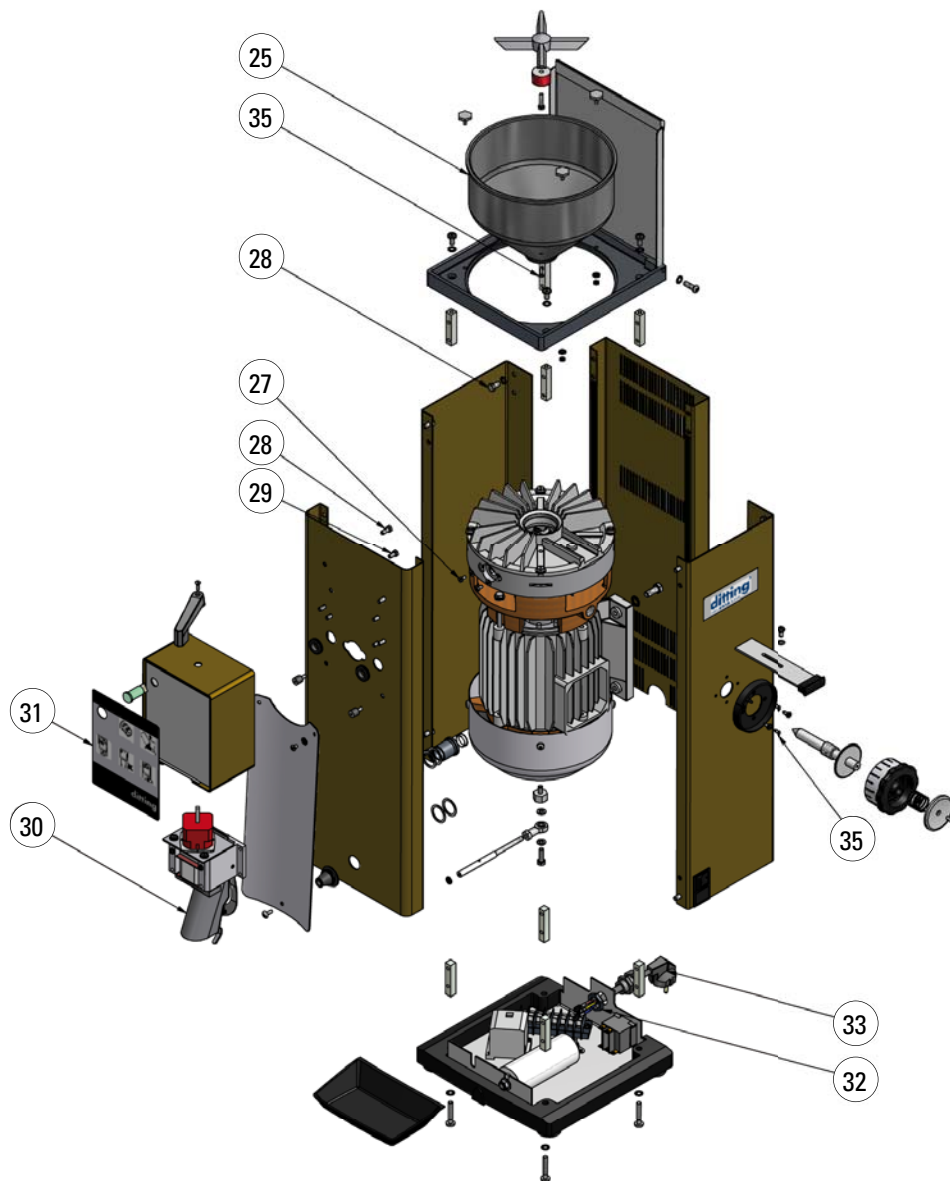
Type: KFR 903, 100V 60Hz

ARTICLE NO.	DRAWING NO.	DESCRIPTION	QUANTITY
240442	5	Discharge housing, brown colour	1
220013	6	Vibrator plate	1
230205	7	Tray black colour	1
230300	8	Bottom plate	1
240668	9	Motor assembly, Slider	1
241351	10	Cover plate, black colour	1
240697	11	Cover assy, complete	1
240382	12	Hopper, 0,5kg (1,10 lbs), pre-assembled	1
255700	13	Cable gland 18x1	2



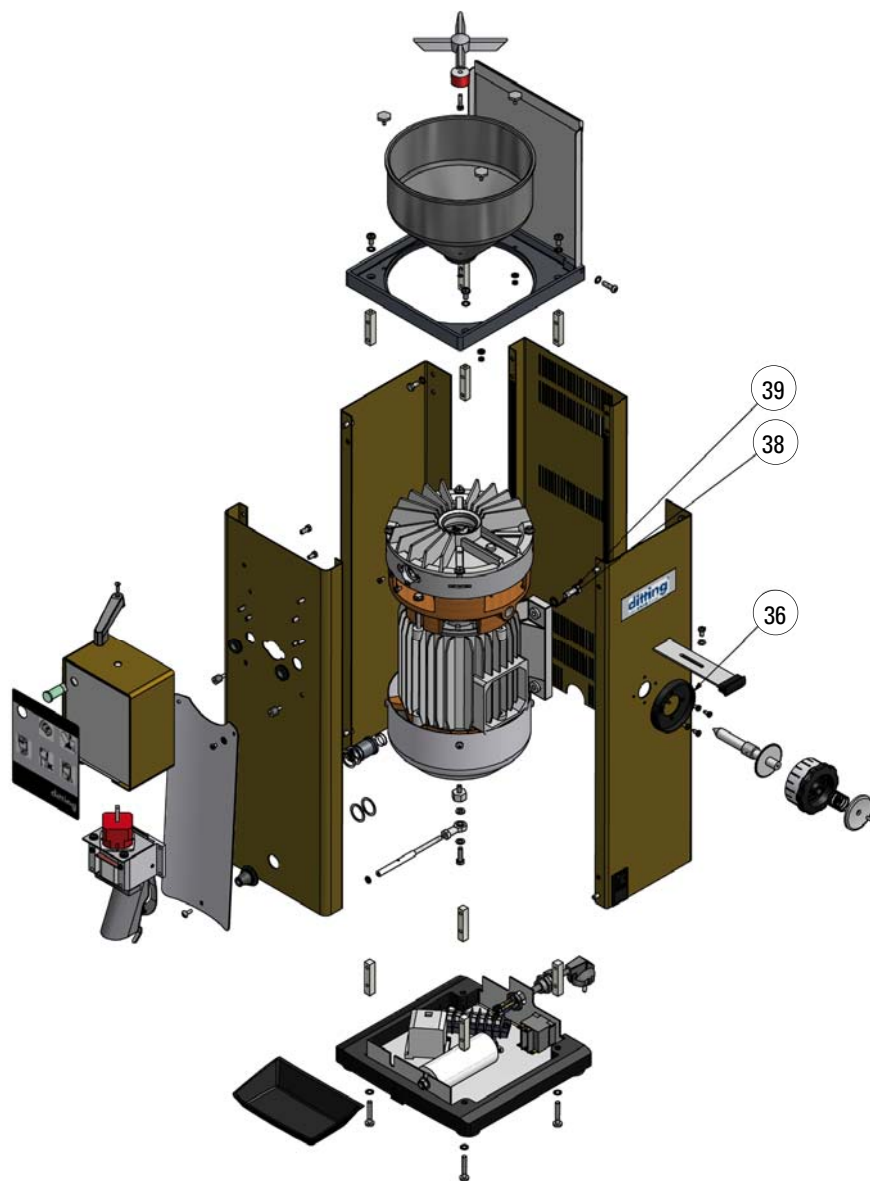
Type: KFR 903, 100V 60Hz

ARTICLE NO.	DRAWING NO.	DESCRIPTION	QUANTITY
240198	14	Magnet with holder	1
251504	15	Washer M4 DIN 6797 J zincked	2
250003	16	Scew In-6kt DIN 6912-M4x20-8.8	2
251528	17	Washer M5 DIN 6797 A zincked	12
240237	19	Bolt	8
250417	20	Scew ISO 7045-M5x22 zincked	4
250440	21	Scew ISO 7045-M5x12 Ks H zincked	4
240483	22	Scew	3
220028	23	Cover	1
240232	24	Ledge for Cover	1
251516	41	Washer M4 zincked	3
251004	62	Nut M4x0.8d DIN 934 zincked	3



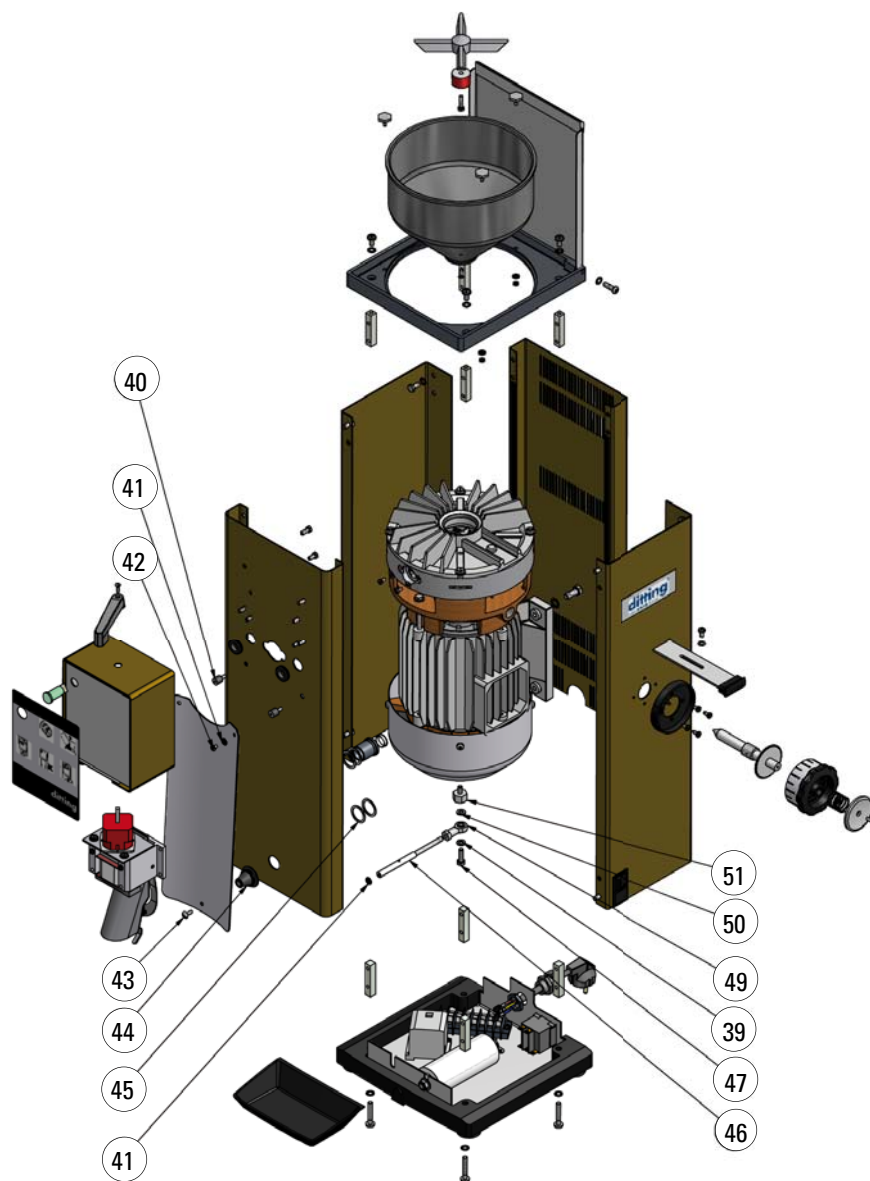
Type: KFR 903, 100V 60Hz

ARTICLE NO.	DRAWING NO.	DESCRIPTION	QUANTITY
101275	25	Hopper 0,5kg (1,10 lbs)	1
250403	27	Screw ISO 1207-M4x8 z1	2
250306	28	Screw ISO 4017-M5x12 zincked	12
250305	29	Screw ISO 4017-M5x10 zincked	4
241828	30	Discharge assy	1
230100	31	Operating panel, german language	1
230102	31	Operating panel, english language	1
	31	Operating panel, different language	1
251010	32	Hexagonal nut PG11 L DIN 46320-FS/PA	1
240165	33	Cable UL certified	1
250907	35	Tapping screw ISO 1481-4.2x6.5	6



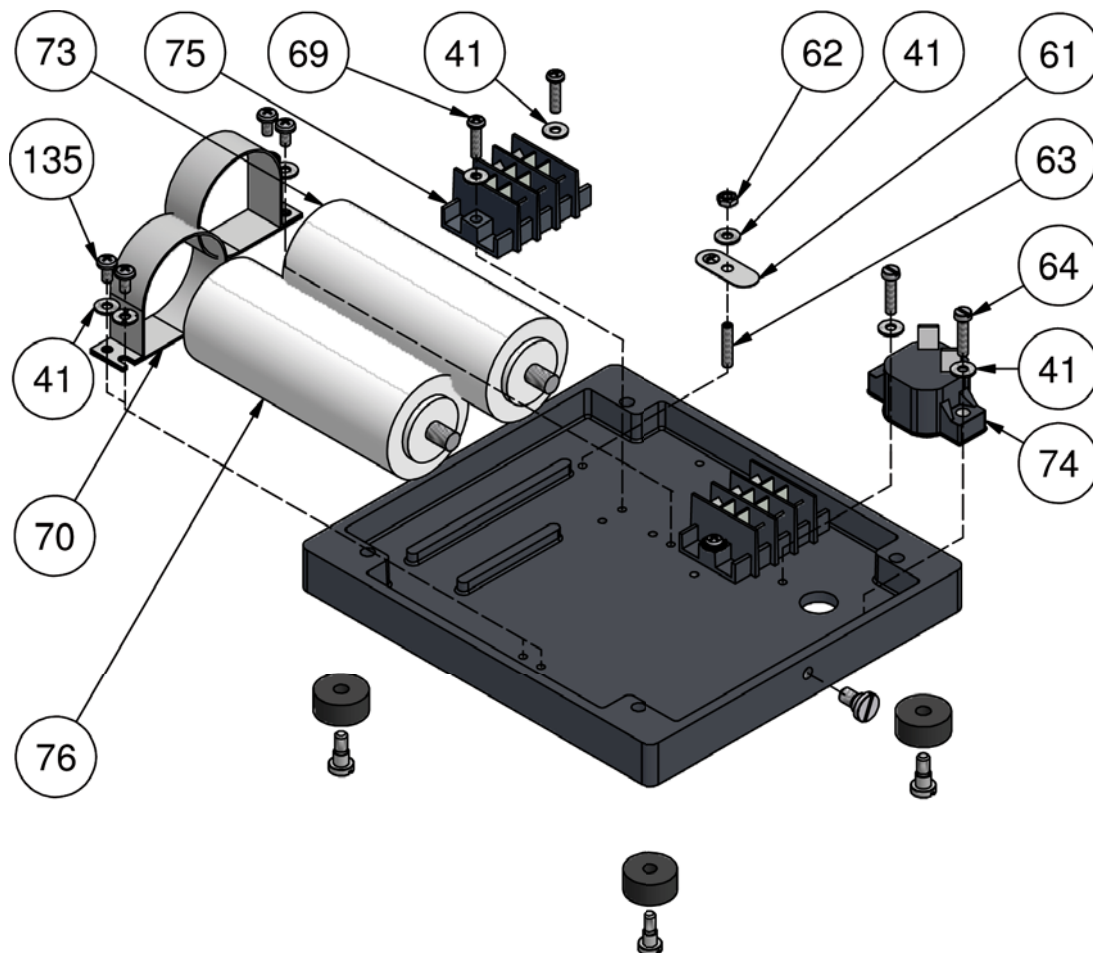
Type: KFR 903, 100V 60Hz

ARTICLE NO.	DRAWING NO.	DESCRIPTION	QUANTITY
230049	36	Collar	1
250311	38	Screw ISO 4017-M6x20 zincked	4
251502	39	Lock washer M6 DIN 6797 A zincked	4



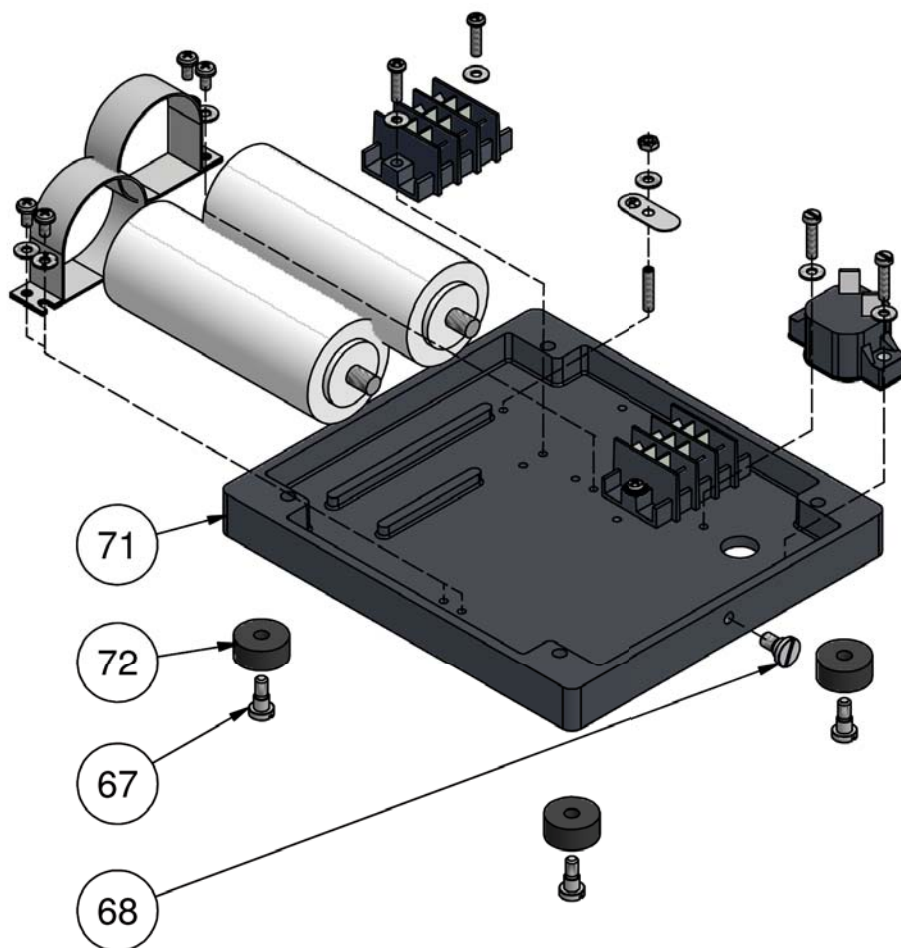
Type: KFR 903, 100V 60Hz

ARTICLE NO.	DRAWING NO.	DESCRIPTION	QUANTITY
251502	39	Lock washer M6 DIN 6797 A zincked	1
255707	40	Rubber joint 10x10/M4 Typ B NR 65	2
251516	41	Washer M4	3
250404	42	Screw ISO 7048-M4x6 zincked	2
250904	43	Screw M4x12 A2	1
255711	44	Cable gland 21x3	1
240411	45	Washer	2
240263	46	Rod	1
250310	47	Screw ISO 4017-M6x18	1
254902	49	Swivel head M6	1
251501	50	Washer 6.4x12.5x1.6 DIN 125	1
240264	51	Eccentric 904-1403	1



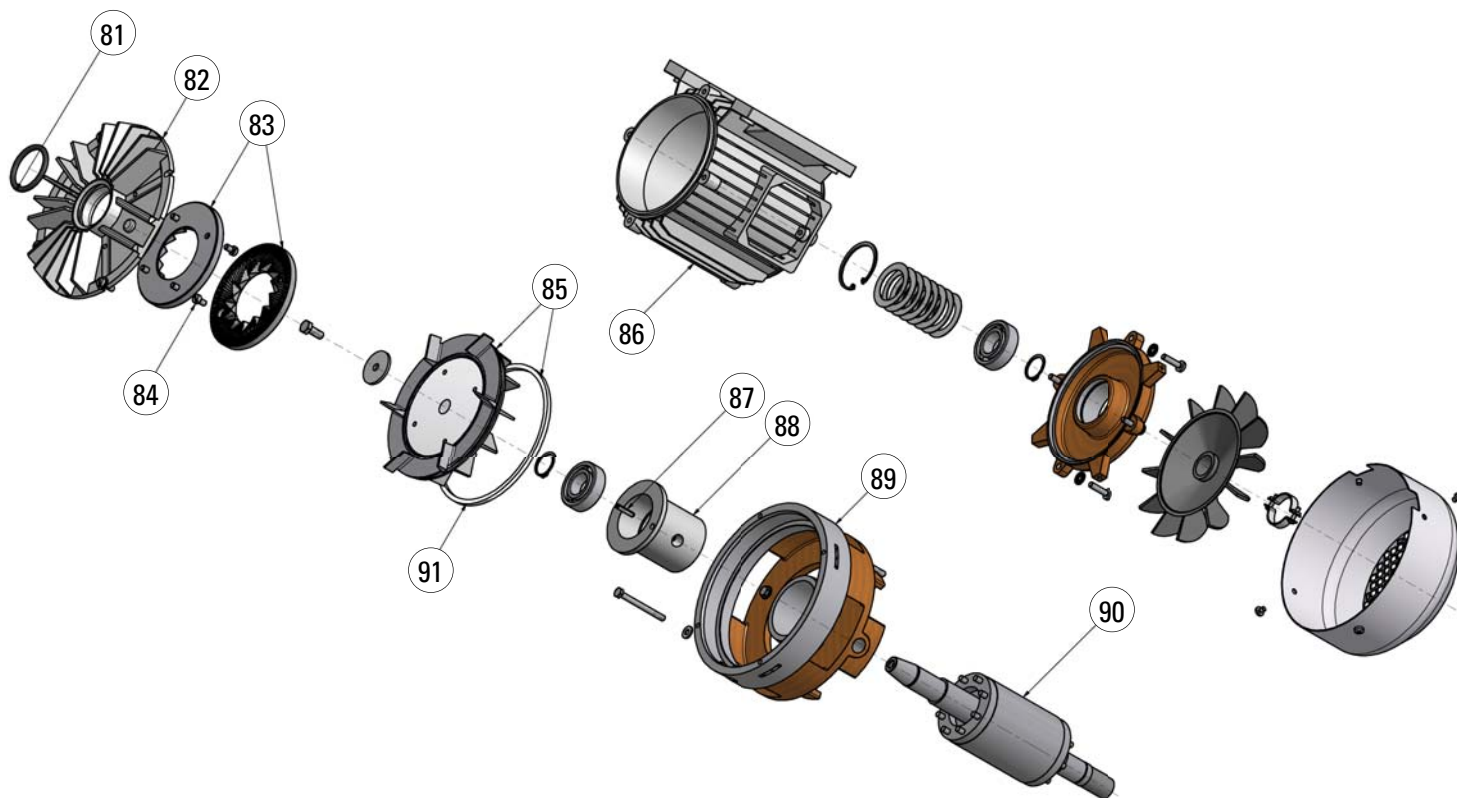
Type: KFR 903, 100V 60Hz

ARTICLE NO.	DRAWING NO.	DESCRIPTION	QUANTITY
251516	41	Washer M4	12
240234	61	Ground plate	1
251004	62	Hexagonal nut M4x0.8d DIN 934	2
250700	63	Screw ISO 4766-M4x20 zincked	1
250412	64	Screw ISO 1207-M4x18 zincked	2
250427	135	Screw ISO 7045-M4x8 Ks H zincked	4
250409	69	Screw ISO 1207-M4x16 zincked	4
254805	70	Clamp Ø45	2
257125	74	Klixon 15A	1
256401	75	Buss 6.3 3pol	2
257305	76	Capacitor 50 Mfd 250/400 V DB	2



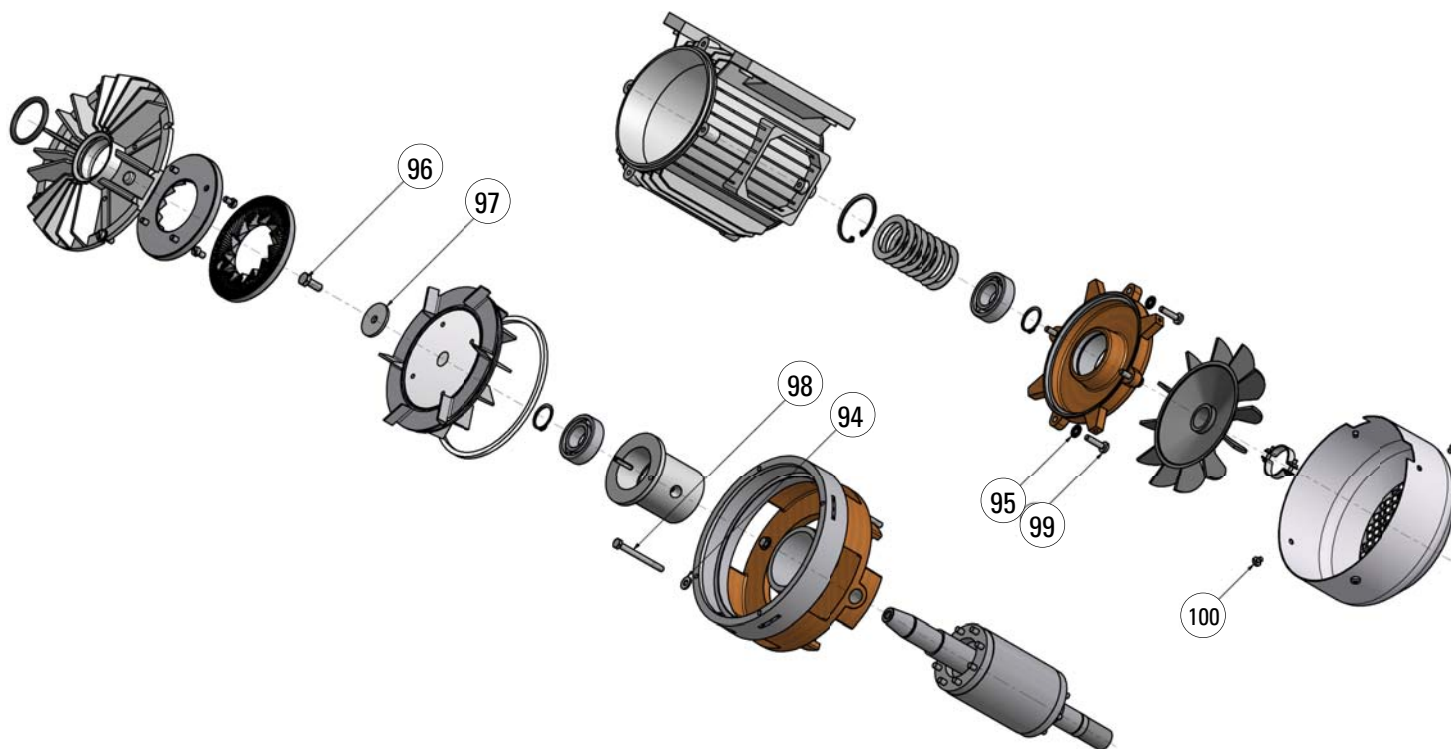
Type: KFR 903, 100V 60Hz

ARTICLE NO.	DRAWING NO.	DESCRIPTION	QUANTITY
240233	67	Screw	4
240107	68	Tray holder	1
241350	71	Bottom plate	1
240113	72	Rubber foot	4



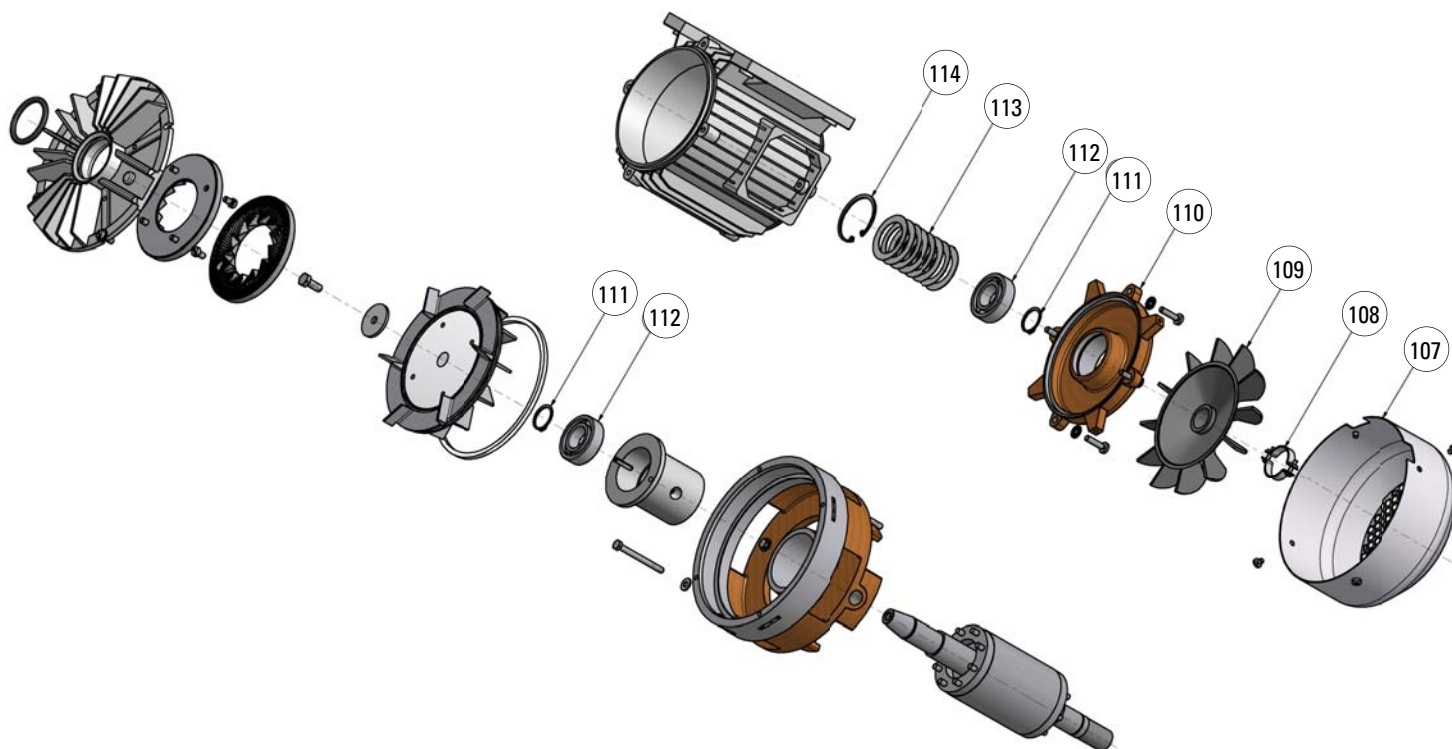
Type: KFR 903, 100V 60Hz

ARTICLE NO.	DRAWING NO.	DESCRIPTION	QUANTITY
255500	81	O-ring 5.34x37.49 NBR 70 Shore A DIN 3771	1
230014	82	Stationary disc flange	1
275400	83	Grinding disc set Ø 90	1
250420	84	Screw ISO 1207-M6x10 zincked	8
240487	85	Rotating disc flange Ø 90	1
240664	86	Stator pre-assembled	1
254410	87	Rollpin 4x18 VSM 12785	1
240249	88	Ball bearing sleeve	1
220030	89	Housing	1
230007	90	Rotor shaft	1
240001	91	Felt ring Ø 90/100	1



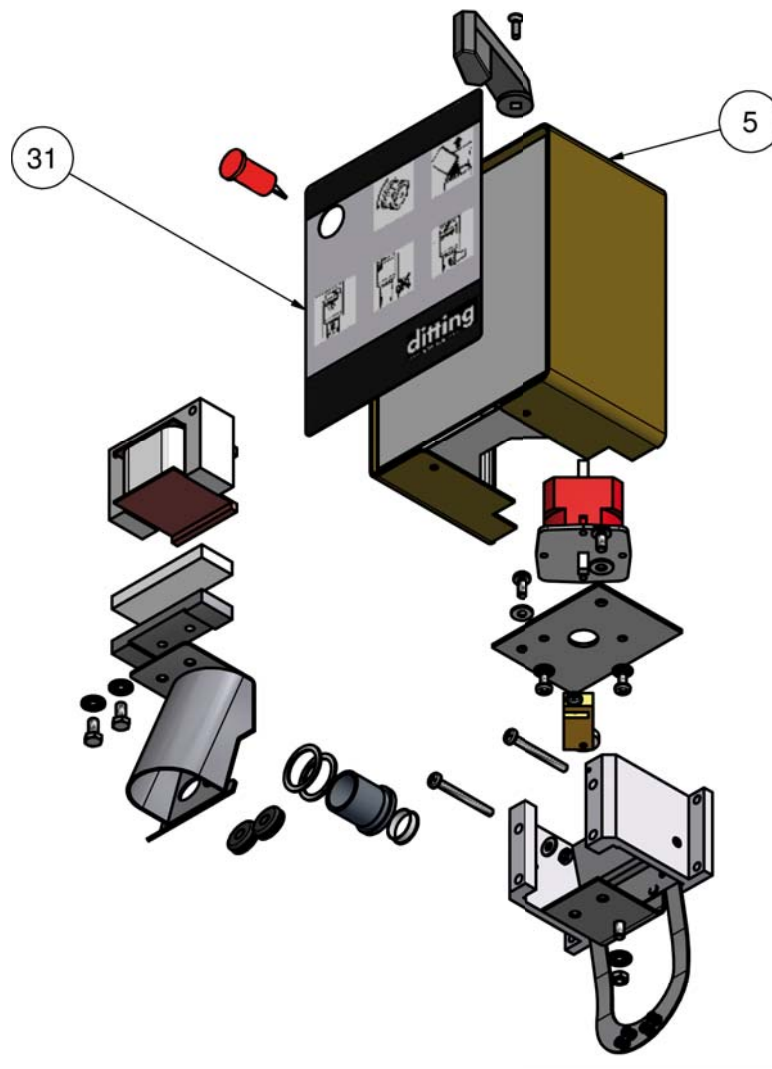
Type: KFR 903, 100V 60Hz

ARTICLE NO.	DRAWING NO.	DESCRIPTION	QUANTITY
251511	94	Washer 5.3x15x2 DIN 7349 zincked	3
251518	95	Washer M6, Geomet 500	4
250311	96	Screw ISO 4017-M6x20 zincked	1
240409	97	Washer 38/6.15 x 2.5 zincked	1
250303	98	Screw ISO 4017-M5x50 zincked	3
250417	99	Screw ISO 7048-M6x25 Ks H zincked	4
250413	100	Screw ISO 7048-M5x6 Ks H zincked	4



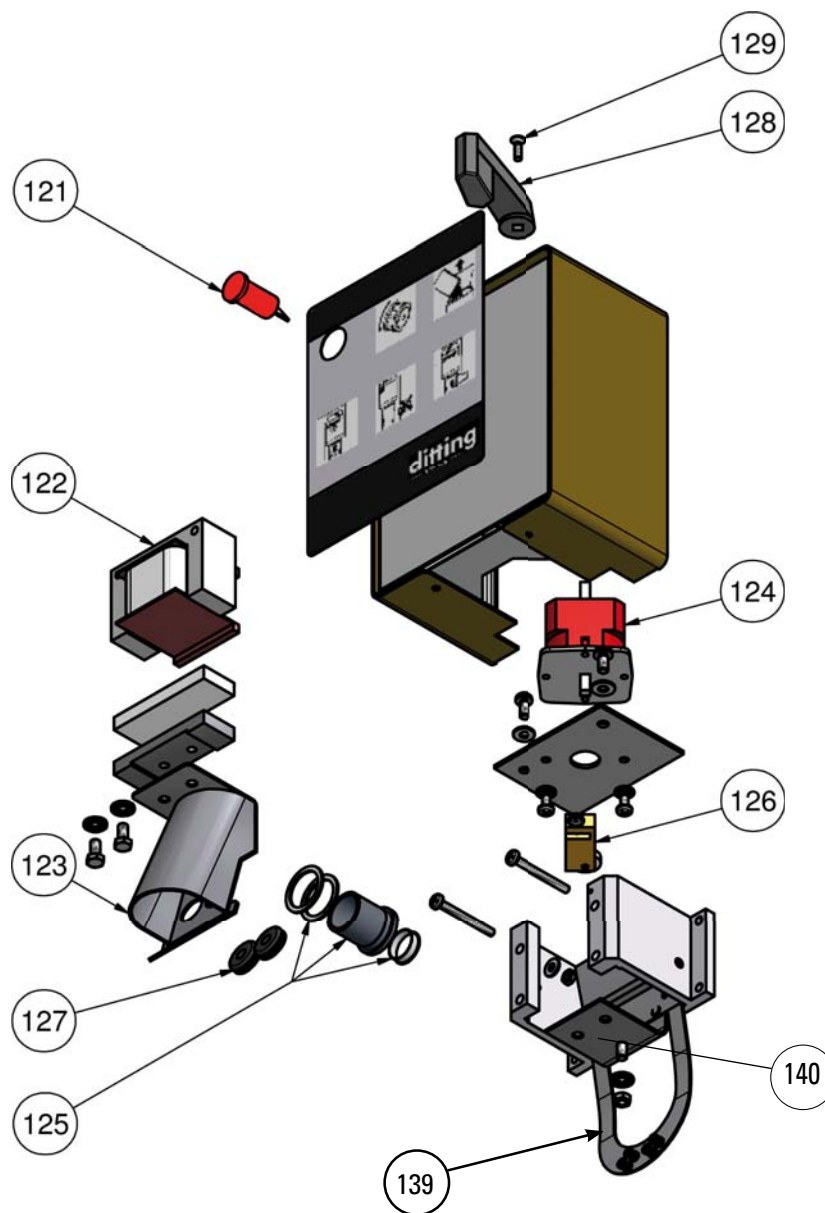
Type: KFR 903, 100V 60Hz

ARTICLE NO.	DRAWING NO.	DESCRIPTION	QUANTITY
240647	107	Ventilation hood	1
254807	108	Clamp collar D25x8	1
255904	109	Fan blade MV 80-19	1
230054	110	Bearing support housing	1
252005	111	Circlip 20Ax1.2 DIN 471	2
254001	112	Ball bearing 20x47x14	2
252402	113	Plate spring 46.5x30.5x0.6/1.5	8
252010	114	Circlip 47ix1.75 DIN 472	1



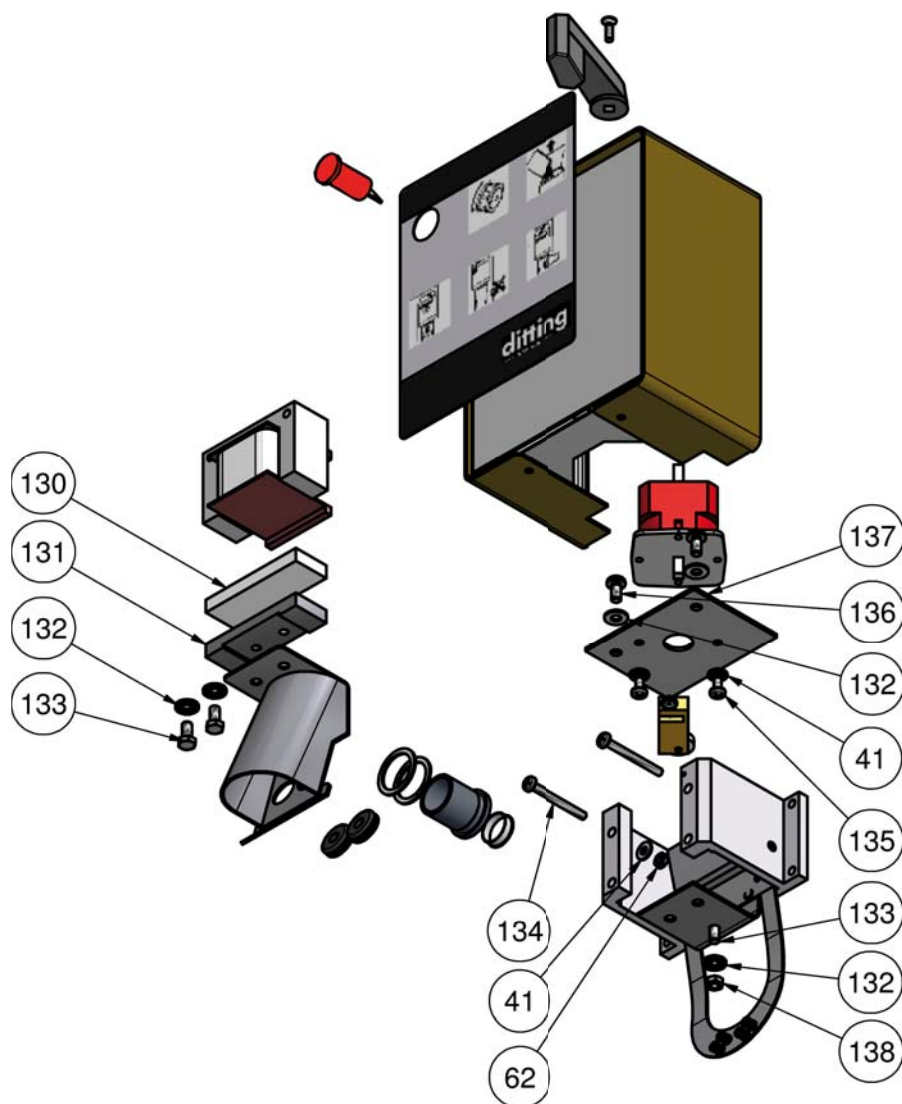
Type: KFR 903, 100V 60Hz

ARTICLE NO.	DRAWING NO.	DESCRIPTION	QUANTITY
240442	5	Discharge housing, brown colour	1
230100	31	Operating panel, german language	1
230102	31	Operating panel, english language	1
	31	Operating panel, differrent language	1



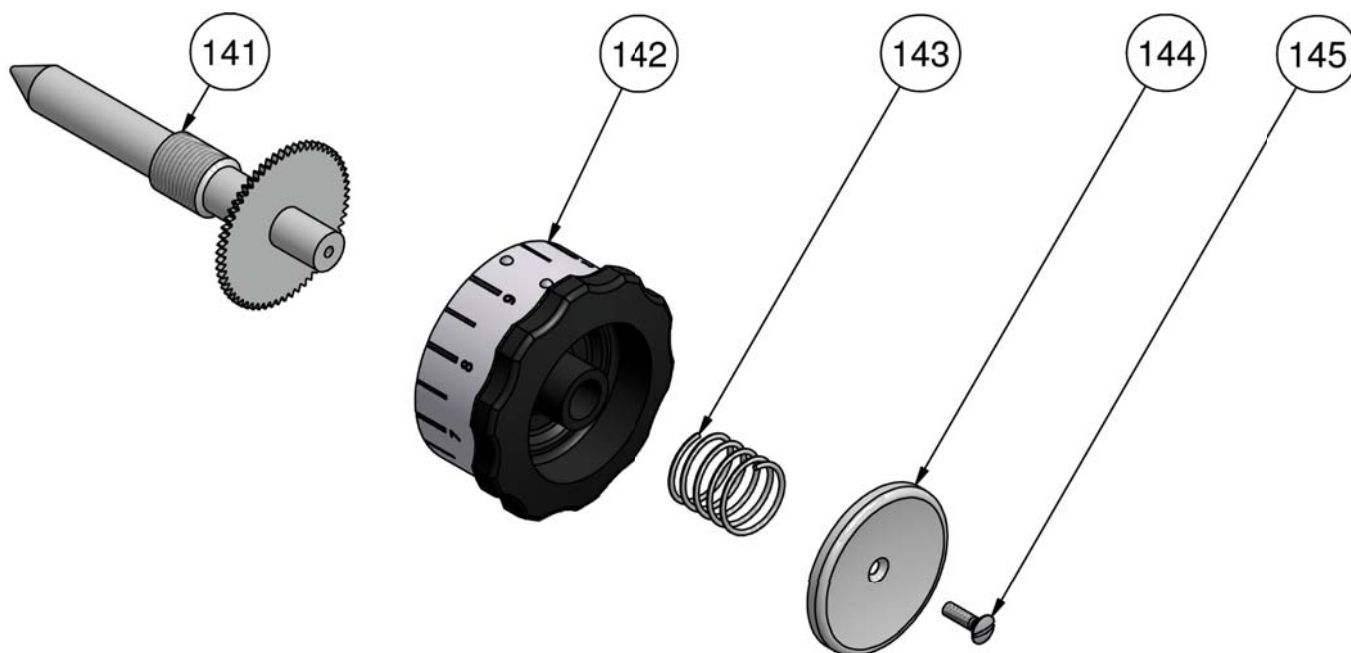
Type: KFR 903, 100V 60Hz

ARTICLE NO.	DRAWING NO.	DESCRIPTION	QUANTITY
257600	121	Pilot lamp 110V red	1
240497	122	Magnet EJ 66 110V KFA/KFR UL	1
240080	123	Discharge tube	1
257402	124	Camshaft switch 2 pole UL	1
240197	125	Rubber tube assembly	1
240493	126	Handle	1
255703	127	Rubber buffer 18x14x1	2
240239	128	Switch handle	1
250213	129	Screw ISO 2010-M3.5x12 zincked	1
240491	139	Long bag holding spring	1
240241	140	Angle spring	1



Type: KFR 903, 100V 60Hz

ARTICLE NO.	DRAWING NO.	DESCRIPTION	QUANTITY
251516	41	Washer M4 zincked	4
251004	62	Nut M4x0.8d DIN 934 zincked	4
240421	130	Foam rubber	2
240247	131	Anchor	1
251517	132	Washer M5, Geomet 500	5
250305	133	Screw ISO 4017-M5x10 zincked	3
250411	134	Screw ISO 1207-M3x14 zincked	2
250427	135	Screw ISO 7045-M4x8 Ks H zincked	2
250431	136	Screw ISO 7045-M5x10 Ks H zincked	2
240240	137	Mounting plate	1
251005	138	Nut M5x0.8d DIN 934 zincked	1



Type: KFR 903, 100V 60Hz

ARTICLE NO.	DRAWING NO.	DESCRIPTION	QUANTITY
240501	141	Adjusting cone	1
241276	142	Adjusting knob, german language	1
240536	142	Adjusting knob, english language	1
		Adjusting knob, different language	1
240078	143	Spring F/UG/804-1403	1
240034	144	Cover F/UG/804-1403	1
250200	145	Screw ISO 2010-M4x14	1