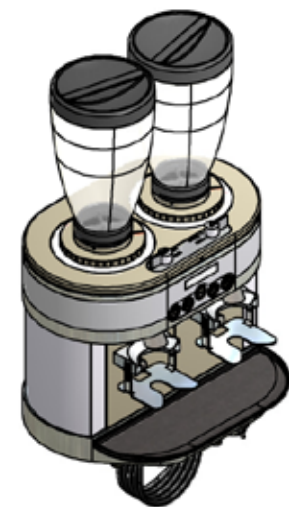
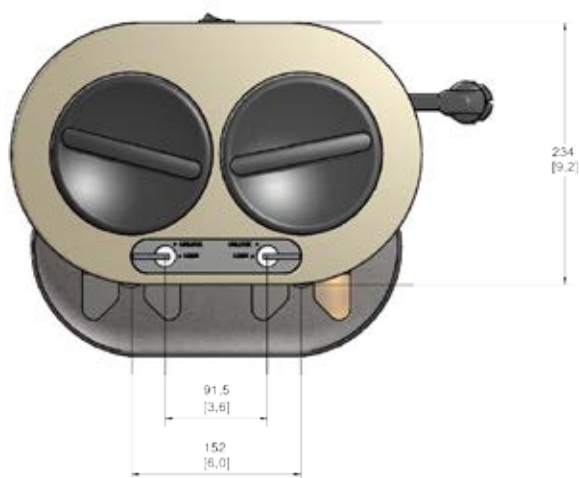
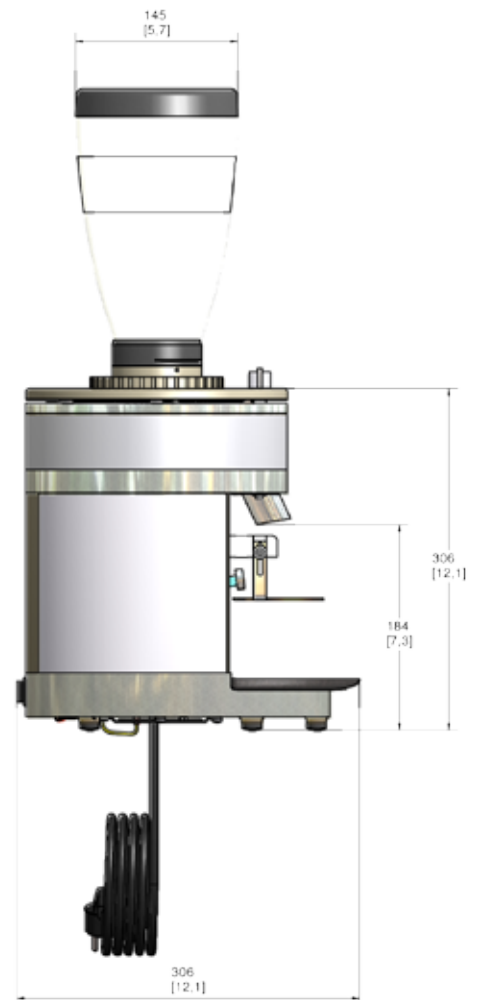
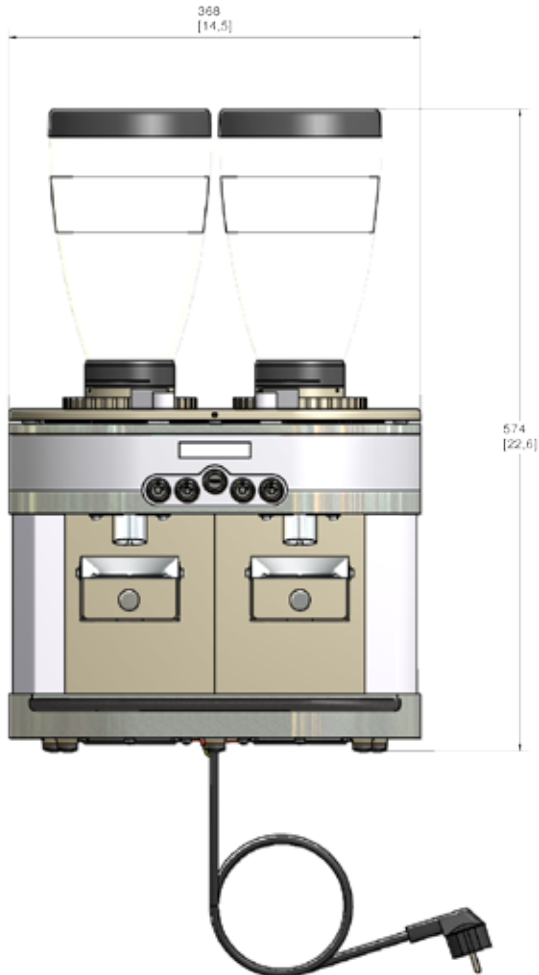




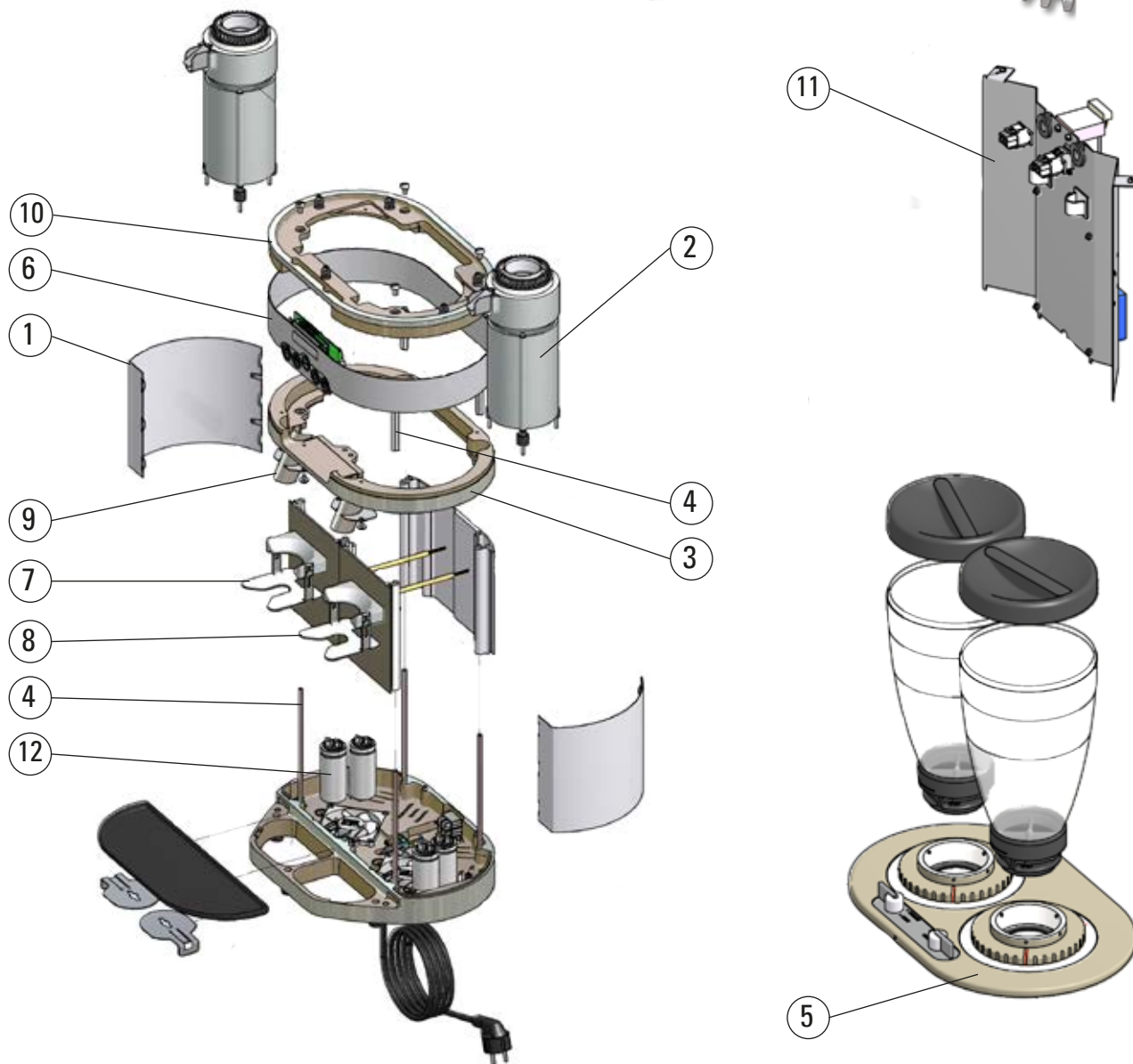
## SPARE PARTS LIST - KED 640 240V 50Hz



Valid from 18<sup>th</sup> July 2016  
Supersedes all previously issued spare parts lists

Subject to change without prior notice.

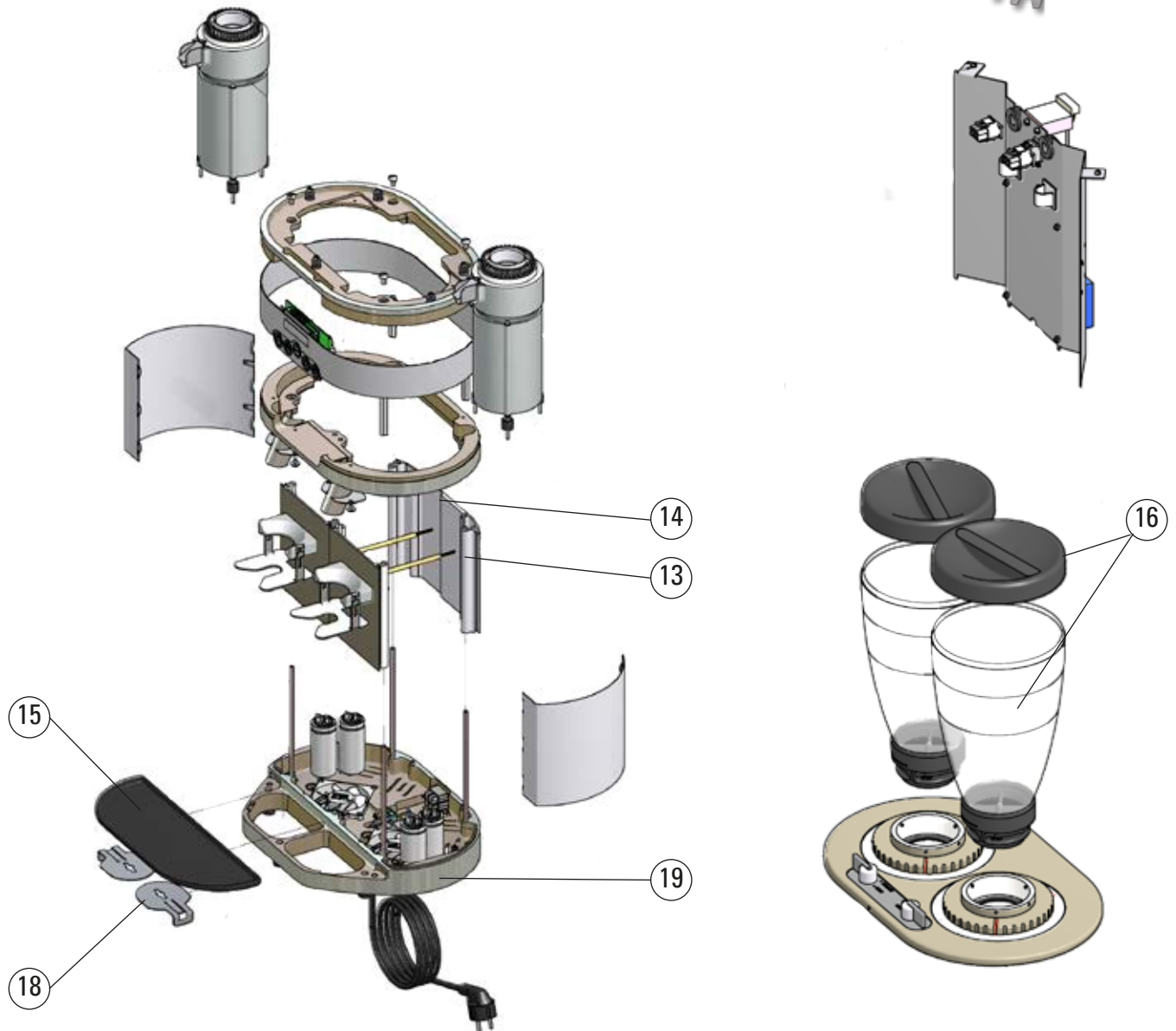
## SPARE PARTS LIST - KED 640 240V 50Hz



Model: KED 640 240V 50Hz

ARTICLE NO.	DRAWING NO.	DESCRIPTION
243405	1	Side panel KED 640 RAL 9005 matt black, flat, service pack (until ser.no. 524389)
	1	Side panel KED 640 RAL 9005 matt black, round, service pack (from ser.no. 524390)
-	2	EK11 built-in grinder, see pages 4 & 5
243296	3	Clamp ring KED 640 flat machined and coated (until ser.no. 524389)
243297	4	Small parts set, body
220440	5	Cover KED 640, complete
243298	6	Deco ring KED 640, complete
243299	7	Front panel KED 640 left, complete
243300	8	Front panel KED 640 right, complete
243404	9	Spout, service pack
243302	10	Intermediate ring machined and coated
243565	11	Power board KED 640 240V, service pack
257336	12	Running capacitor 16 $\mu$ F (240V/50Hz) (ATTENTION: until serial no. 525390 for motor C0332.00 fit 2x16 $\mu$ F=32 $\mu$ F)

## SPARE PARTS LIST - KED 640 240V 50Hz

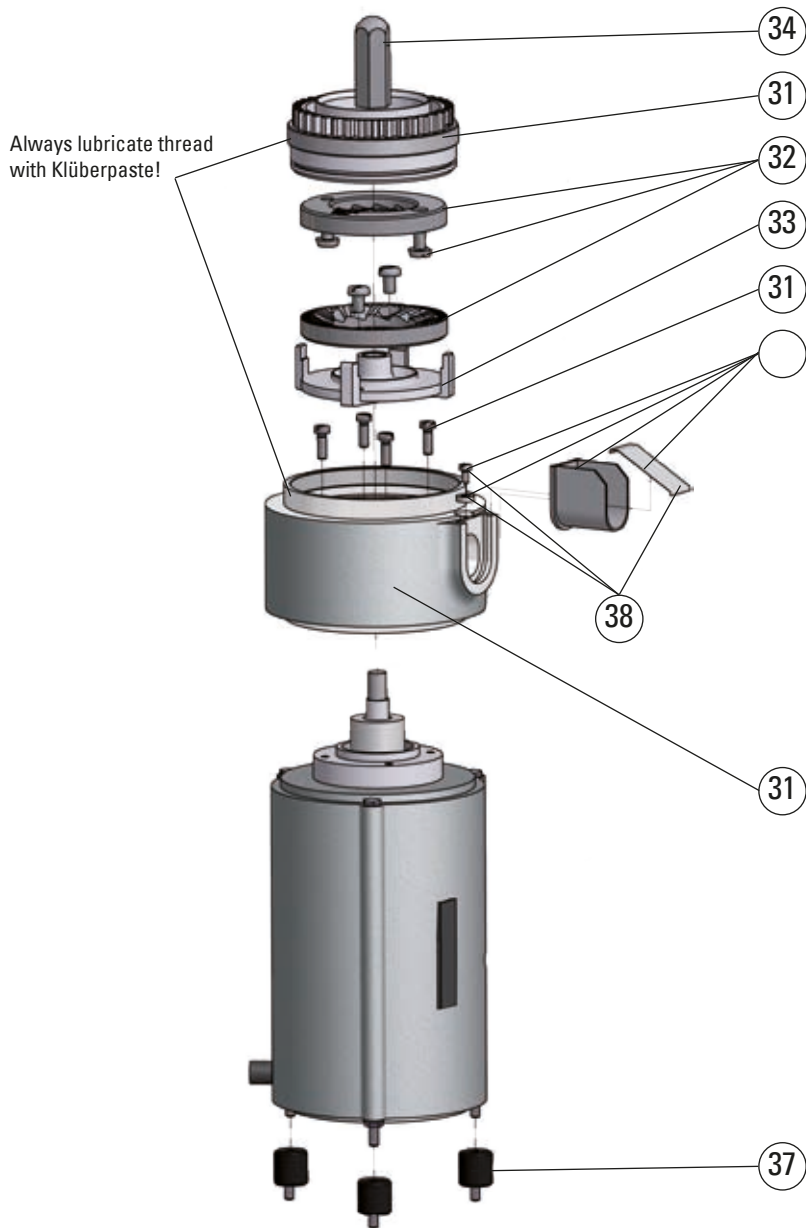


Model: KED 640 240V 50Hz

ARTICLE NO.	DRAWING NO.	DESCRIPTION
243304	13	Back panel le/ri coated silver metallic
243305	14	Back panel centre section
243306	15	Residue tray with magnet
243403	16	Hopper with lid
243239	18	Hopper slider
243307	19	Base plate KED 640 (flat) pre-assembled CE (until ser.no. 524389)



## SPARE PARTS LIST - KED 640 240V 50Hz



**! EK11a: aluminium thread and flat spring spout!  
Valid until serial number 3325**

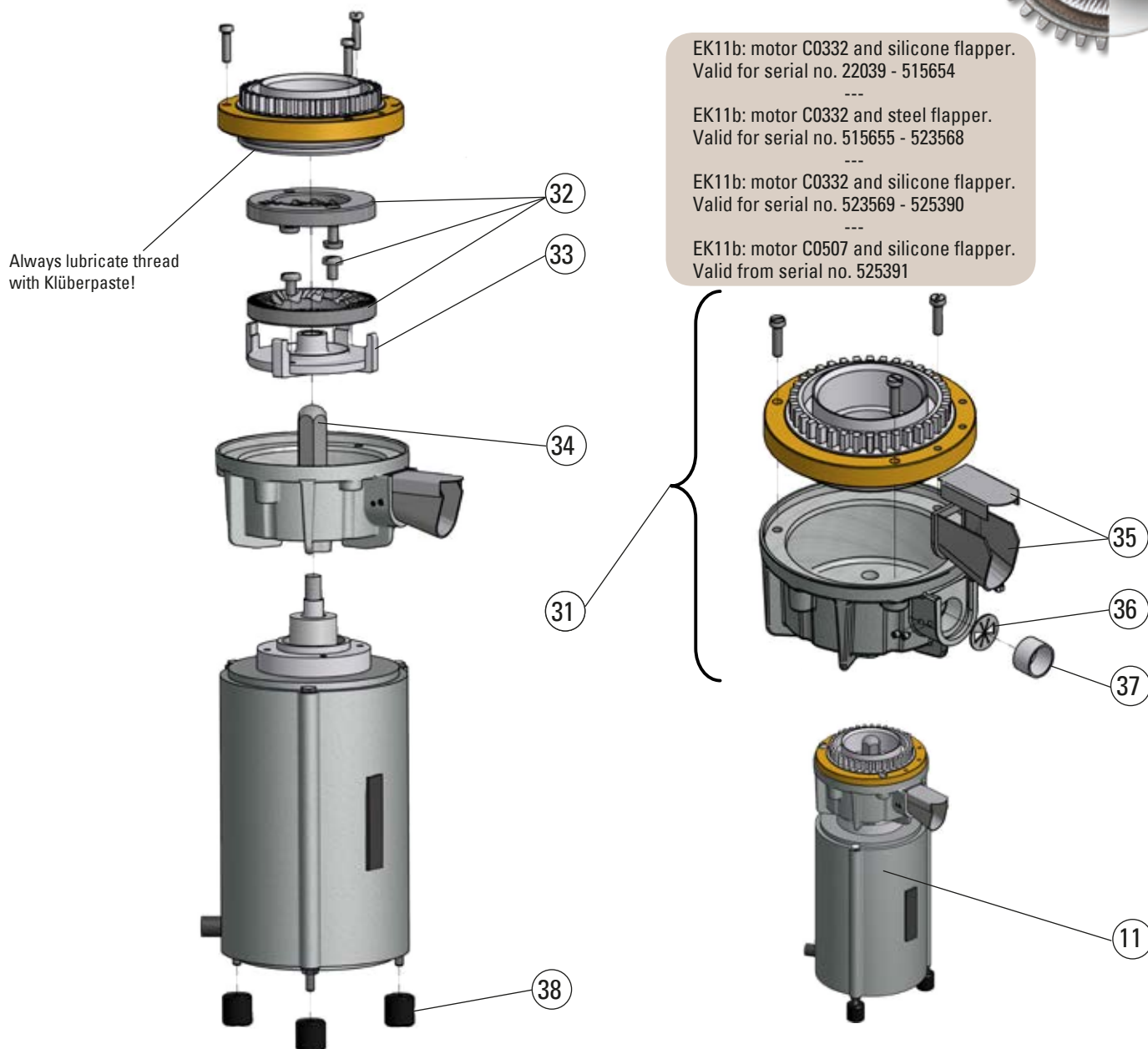


Model: KED 640 240V 50Hz

ARTICLE NO.	DRAWING NO.	DESCRIPTION
230613	2	EK11a built-in grinder 240V (C0332.00) KED 640 flat spring spout (until ser.no. 3325)
243308	31	Grinder casing set EK11a, service pack
275123	32	Grinding disc set 65mm KED640
242544	33	Grinding disc carrier rotary
242377	34	Finger protection 40mm
243309	36	Spout EK11a, service pack
243310	37	Shock absorbers, service pack (pack of 3)
243548	38	Flat spring EK11a, service pack (pack of 5)
243183	--	Klüberpaste lubricant tube of 60 gr



## SPARE PARTS LIST - KED 640 240V 50Hz

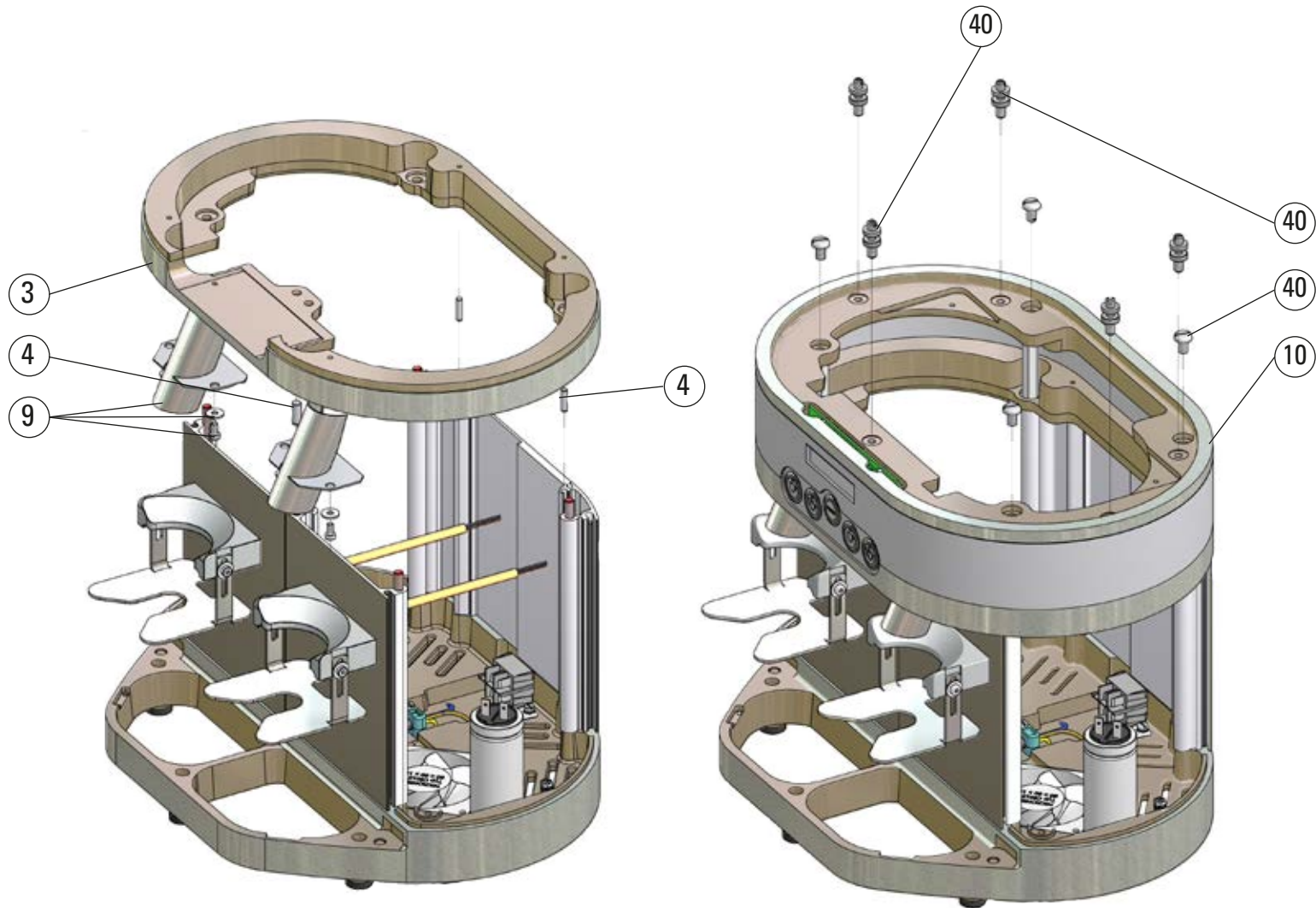


Model: KED 640 240V 50Hz

ARTICLE NO.	DRAWING NO.	DESCRIPTION
101300	2	EK11b built-in grinder 240V (C0507.00) KE 640 silicone flapper
101145	31	Grinder casing set EK11b, with silicone flapper, covered spout, brass thread
275123	32	Grinding disc set 65mm KED640
242544	33	Grinding disc carrier rotary
242377	34	Finger protection 40mm
243557	35	Spout EK11b covered
243558	36	Silicone flapper Ø17mm
100584	36	Steel flapper Ø15,8mm (ser.no. 515655-523569 only)
101518	36	Silicone flapper Ø15,8mm (exchange for steel flapper only! Serial.no. 515655-523569 only)
243559	37	Spout tube EK11b
243310	38	Shock absorbers, service pack (pack of 3)
243183	--	Klüberpaste lubricant tube of 60 gr



## SPARE PARTS LIST - KED 640 240V 50Hz

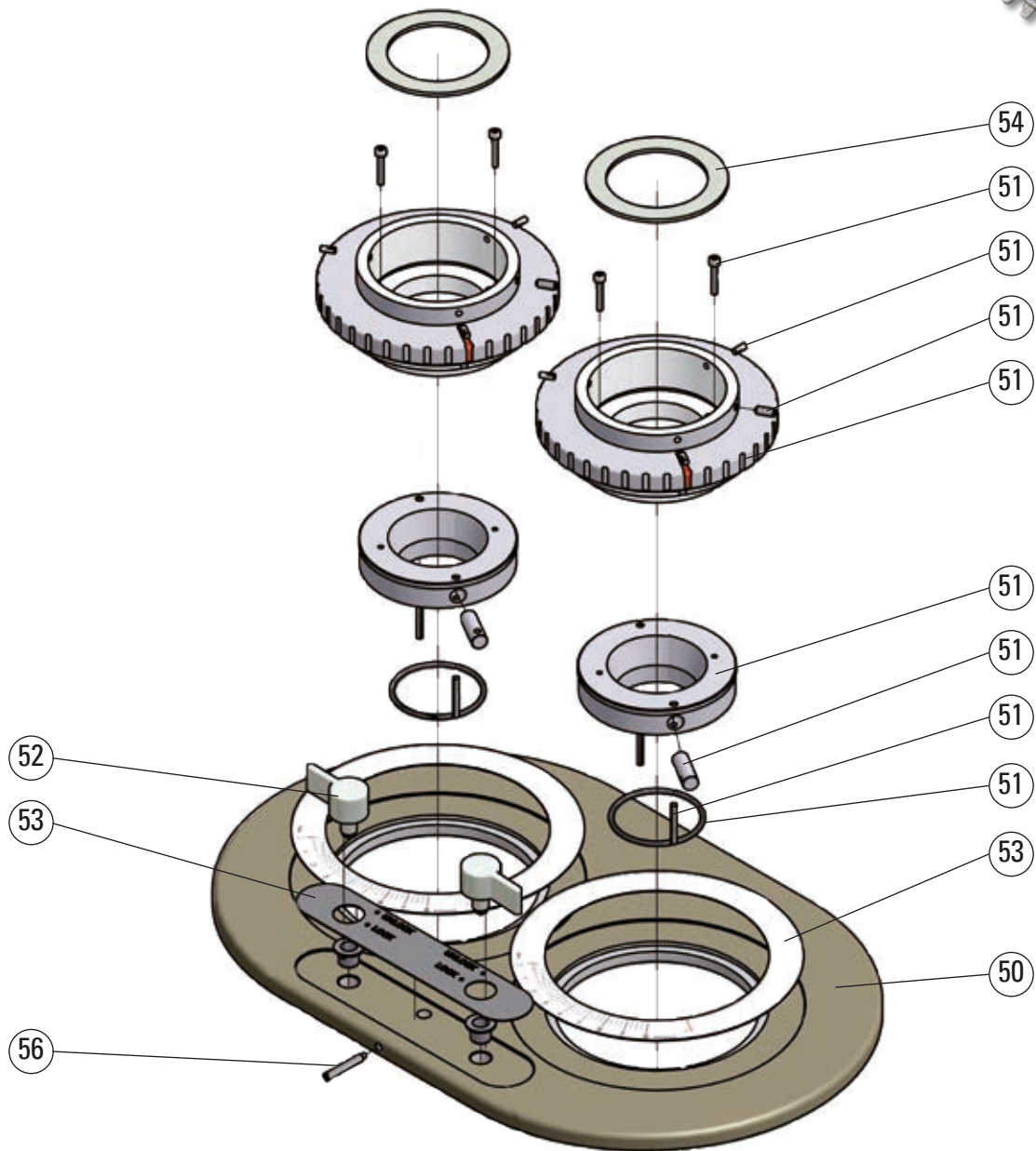


Model: KED 640 240V 50Hz

ARTICLE NO.	DRAWING NO.	DESCRIPTION
243296	3	Clamp ring KED 640 flat machined and coated (until ser.no. 524389)
243297	4	Small Parts Set, body
243404	9	Spout service pack
243302	10	Intermediate ring machined and coated
243311	40	Small Parts Set, intermediate ring



## SPARE PARTS LIST - KED 640 240V 50Hz

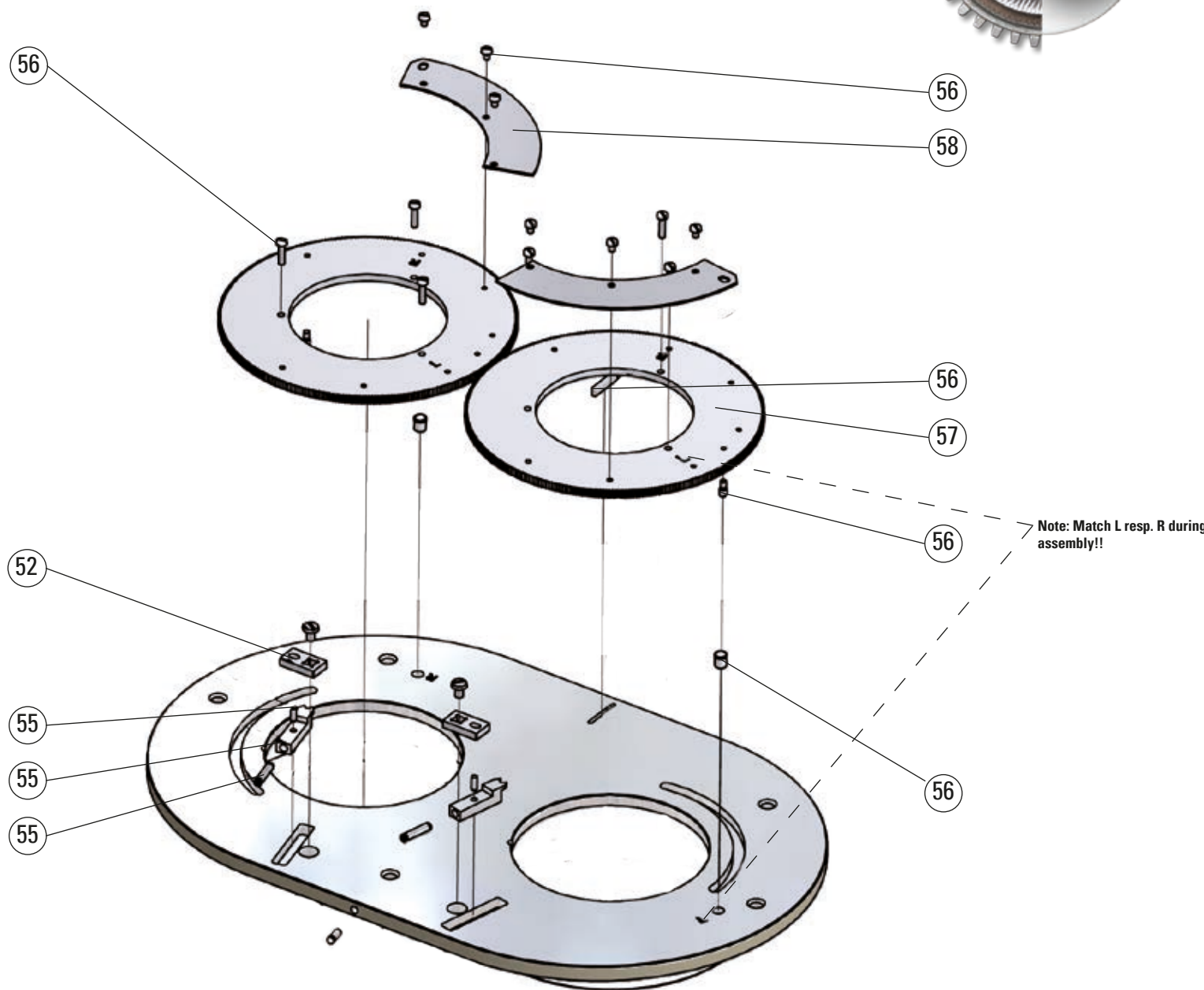


Model: KED 640 240V 50Hz

ARTICLE NO.	DRAWING NO.	DESCRIPTION
243312	50	Cover machined and coated
243313	51	Grind adjustment with adapter complete
243563	52	Toggle knob KED 640, service pack
243315	53	Sticker set cover KED 640
243221	54	Seal ring, Pack of 10, 70x50x2
243316	56	Small parts set cover



## SPARE PARTS LIST - KED 640 240V 50Hz



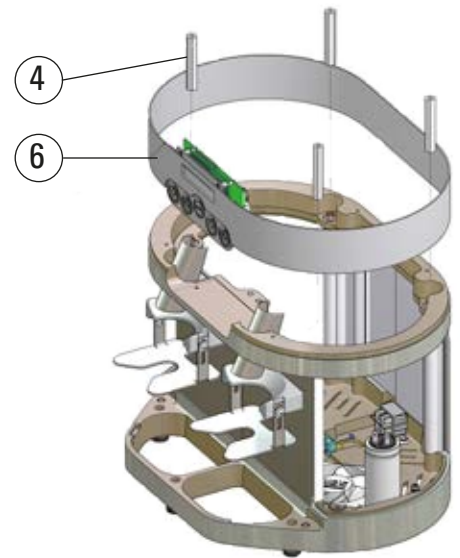
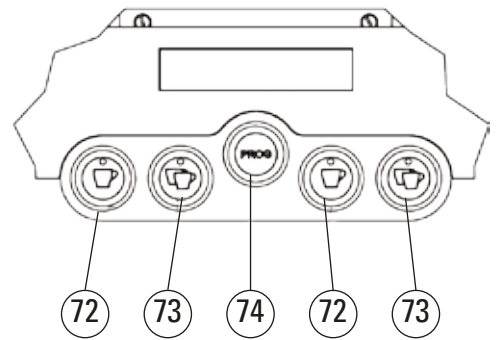
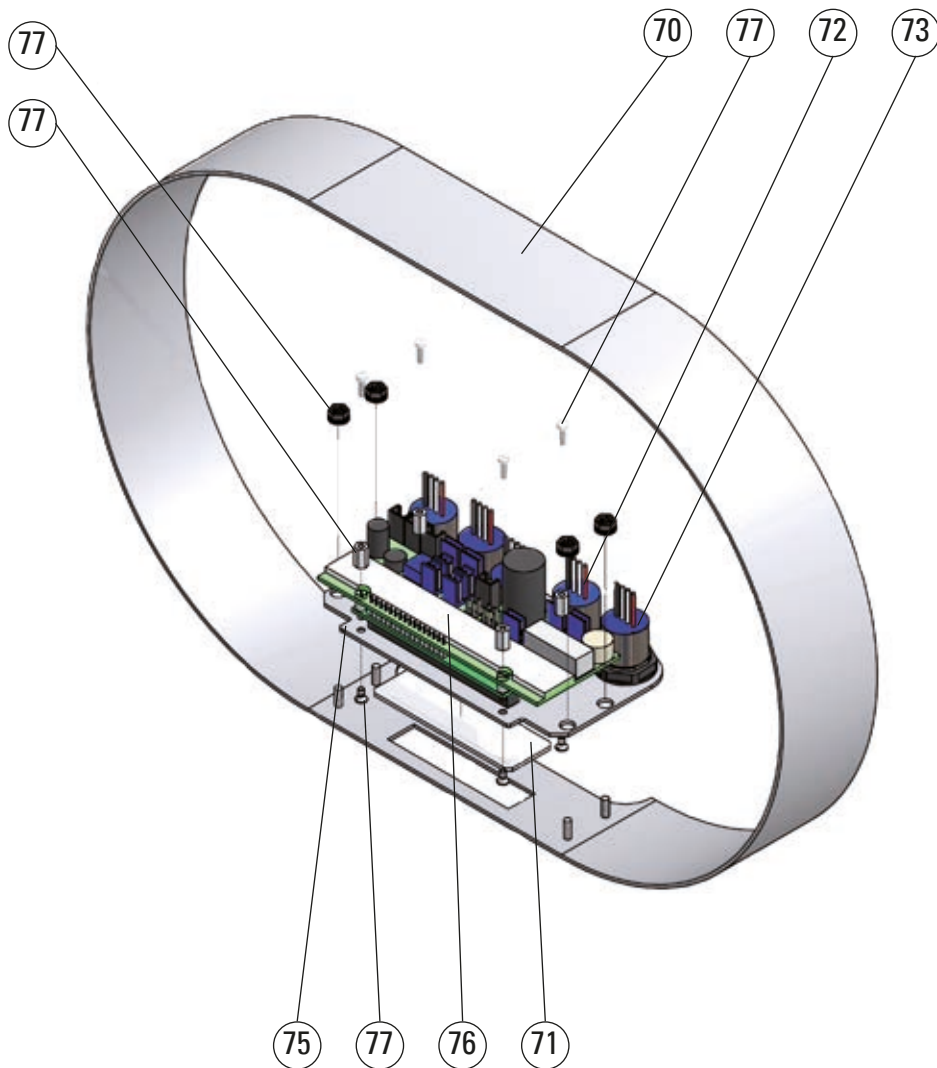
Model: KED 640 240V 50Hz

ARTICLE NO.	DRAWING NO.	DESCRIPTION
243563	52	Toggle knob KED 640, service pack
243564	55	Notch slide KED 640, service pack
243316	56	Small parts set cover
243317	57	Swivel machined
243318	58	Guide machined





## SPARE PARTS LIST - KED 640 240V 50Hz

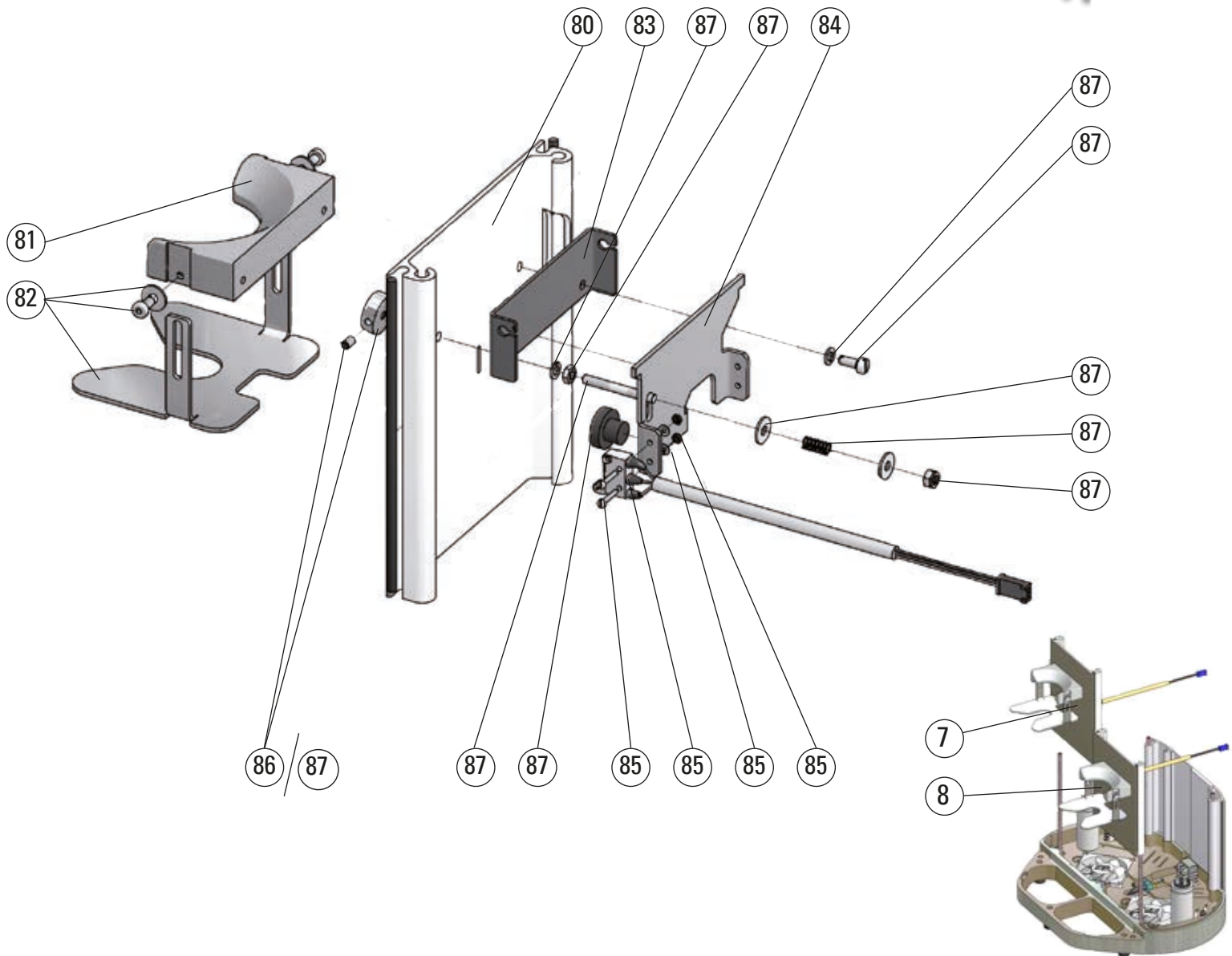


Model: KED 640 240V 50Hz

ARTICLE NO.	DRAWING NO.	DESCRIPTION
243297	4	Small Parts Set, body
243298	6	Deco ring KED 640 complete
243319	70	Deco ring KED 640 machined and coated
243320	71	Display cover clear for display 2x16
243579	72	Switch single shot, assembled
243580	73	Switch double shot, assembled
243321	74	Switch PROG, assembled
308942	75	Switch board silver
103816	(75)	Switch board RAL9005 black matt
104038	(75)	Switch board RAL9010 white matt
243323	76	Processor board with display (software on request)
243324	77	Small parts set deco ring



## SPARE PARTS LIST - KED 640 240V 50Hz

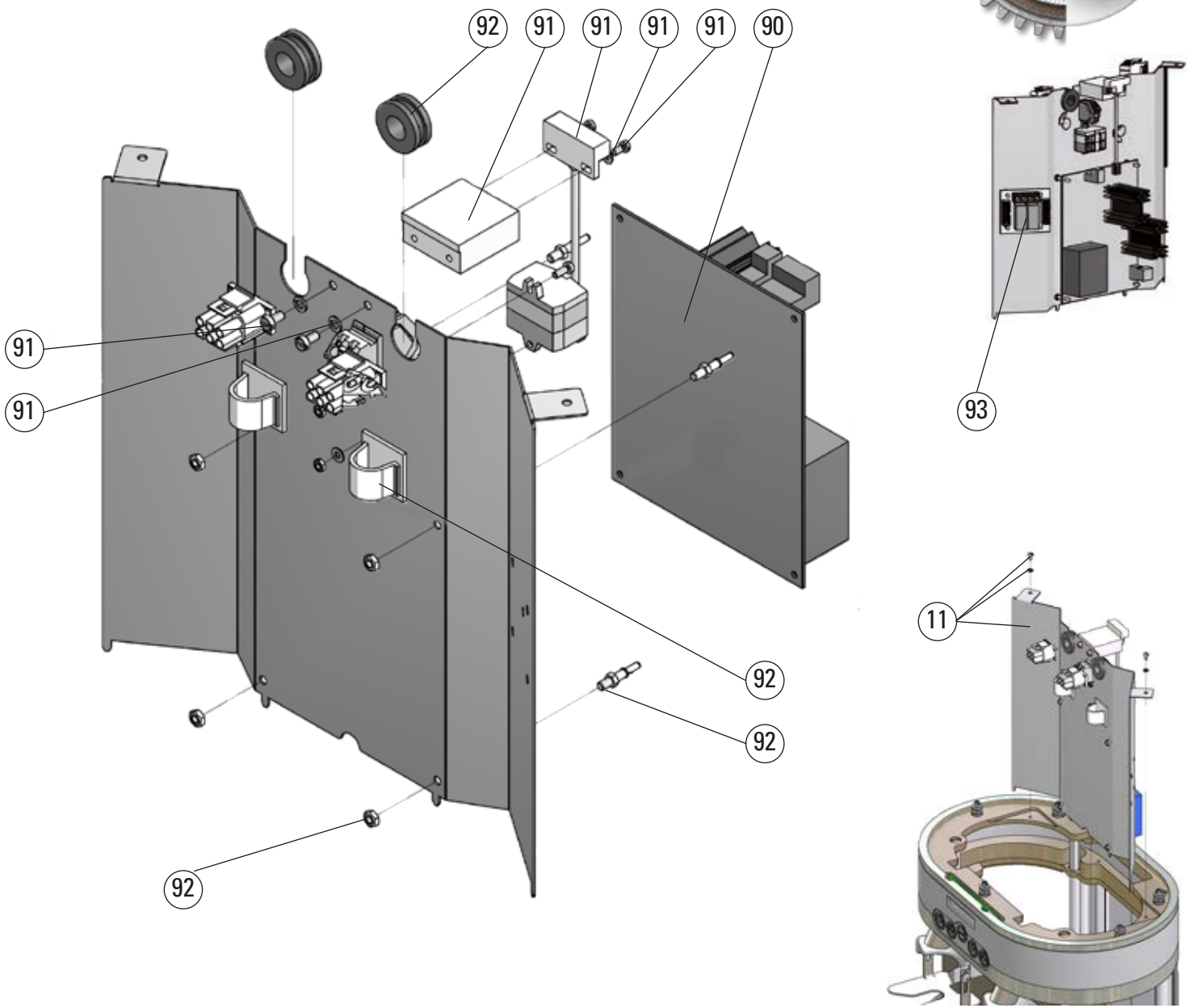


Model: KED 640 240V 50Hz

ARTICLE NO.	DRAWING NO.	DESCRIPTION
243299	7	Front panel KED 640 left complete
243300	8	Front panel KED 640 right complete
243325	80	Front panel left machined and coated
243326	--	Front panel right machined and coated
230455	81	Portafilter mounting machined and coated
243253	82	Portafilter support base square
242503	83	Rocker switch bent
243327	84	Rocker switch
243252	85	Micro switch service pack
242365	86	Rocker switch knob service pack
243177	87	Small Parts Set, Front Panel



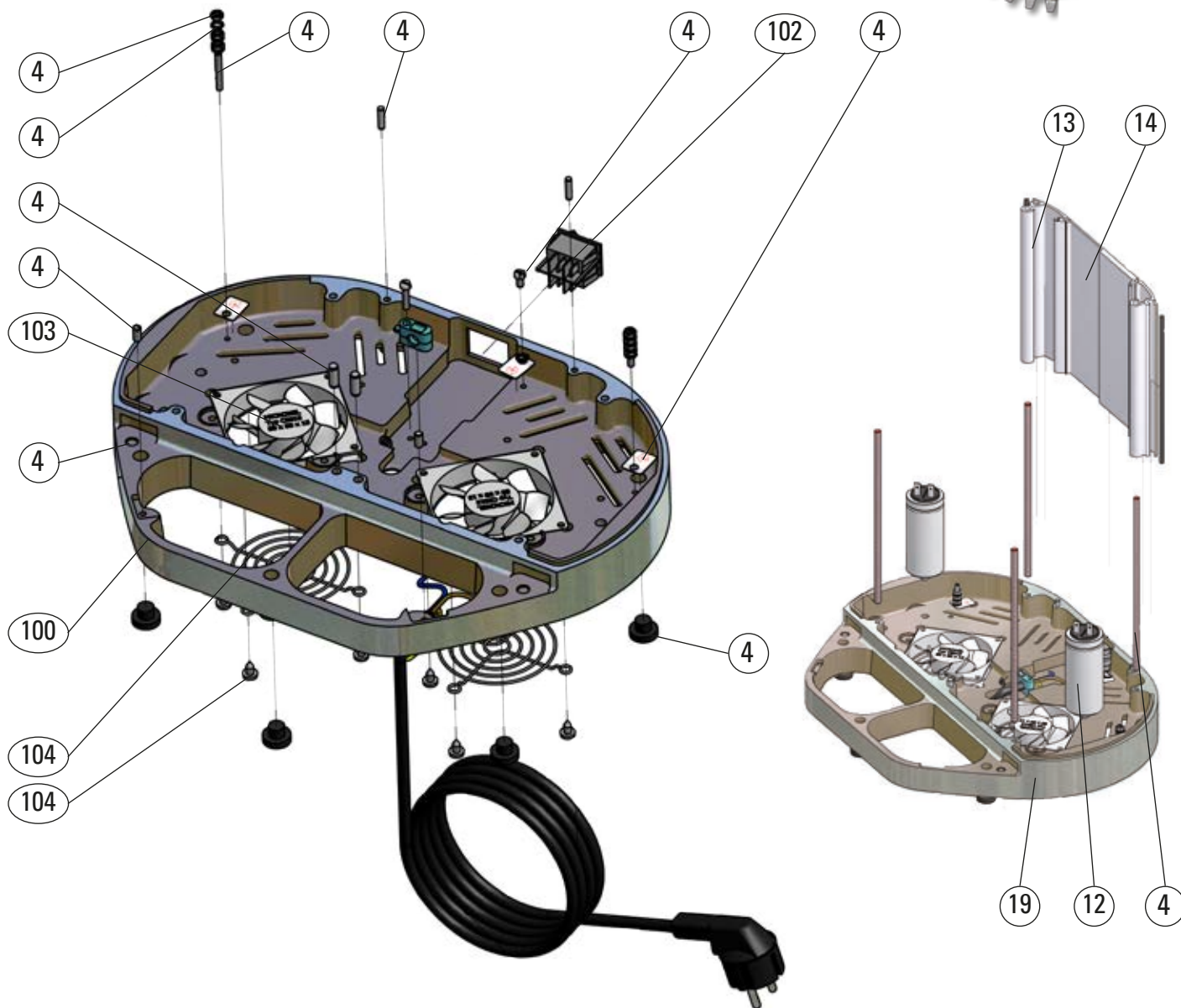
SPARE PARTS LIST - KED 640 240V 50Hz



Model: KED 640 240V 50Hz

ARTICLE NO.	DRAWING NO.	DESCRIPTION
243565	11	Power board KED 640 240V, service pack
243330	90	Power supply PCB (define voltage)
243331	91	Magnetic switch service pack
243332	92	Small parts set power board
243560	93	Zero voltage switch KED 640 240V AC
243570	--	Strand set power board, service pack, UL

## SPARE PARTS LIST - KED 640 240V 50Hz



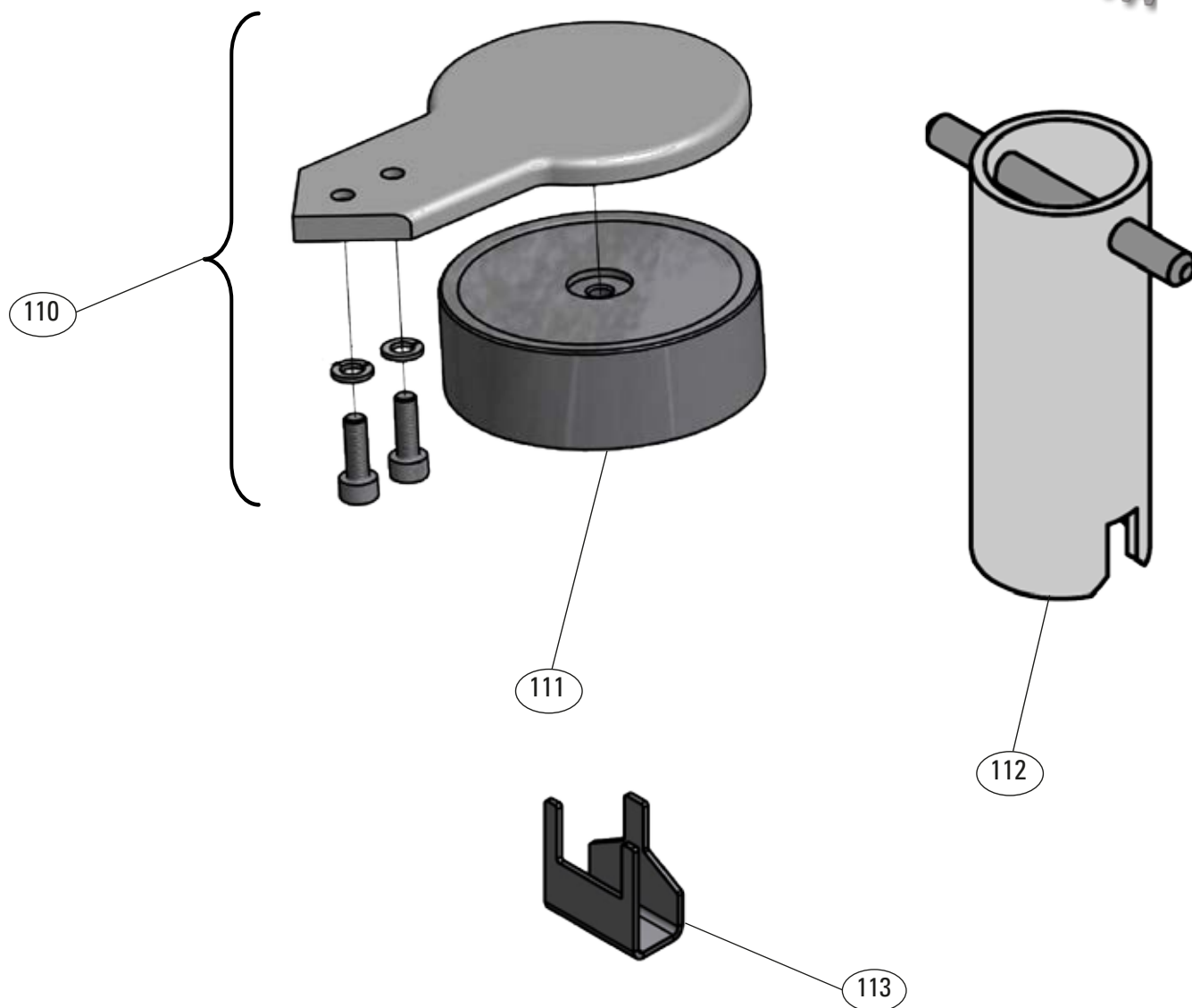
Model: KED 640 240V 50Hz

ARTICLE NO.	DRAWING NO.	DESCRIPTION
243297	4	Small Parts Set, body
257336	12	Running capacitor 16 $\mu$ F (240V/50Hz) (ATTENTION: until serial no. 525390 for motor C0332.00 fit 2x16 $\mu$ F=32 $\mu$ F)
243304	13	Back panel le/ri coated silver metallic
243305	14	Back panel centre section
243307	19	Base plate KED 640 pre-assembled CE (until ser.no. 524389)
243334	100	Base plate KED 640 machined and coated (until ser.no. 524389)
242506	102	Rocker switch 2-pin
243365	103	Fan
243338	104	Fan grid, service pack
243339	--	Strand set service pack switch-power board





## SPARE PARTS LIST - KED 640 240V 50Hz



Model: KED 640 240V 50Hz

ARTICLE NO.	DRAWING NO.	DESCRIPTION
<b>ADDITIONAL EQUIPMENT</b>		
308660	(110)	Tamper mounting kit d=53mm KE 640 complete
308787	(110)	Tamper mounting kit d=55mm KE 640 complete
310490	(110)	Tamper mounting kit d=57mm KE 640 complete
307226	110	Tamper mounting kit d=58mm KE 640 complete
307138	(111)	Tamper insert d=53mm for static tamper
307139	(111)	Tamper insert d=55mm for static tamper
310454	(111)	Tamper insert d=57mm for static tamper
306819	111	Tamper insert d=58mm for static tamper
306590	112	Grind adjustment key KE 640
101066	113	Tool for disc change EK11b



## SPARE PARTS LIST - KED 640 240V 50Hz

## Changes In The Spare Parts List:

VALID FROM SERIAL NO.	ARTICLE NO.	DRAWING NO.	DESCRIPTION	COMMENT
2.5	243405	1	Side panel KED 640 RAL 9005 matt black, flat, service pack (until ser.no. 524389)	former side panel shape
2.5		1	Side panel KED 640 RAL 9005 matt black, round, service pack (from ser.no. 524390)	new side panel shape
2.5	257336	12	Running capacitor 16µF (240V/50Hz) (ATTENTION: until serial no. 525390 for motor C0332.00 fit 2x16µF=32µF)	new capacitor for new motor
2.5	101286	2	EK11b built-in grinder 240V (C0332.00) KE 640 silicone flapper (from ser.no. 22039 to 515654)	new built-in grinder
2.5	267608	2	EK11b built-in grinder 240V (C0332.00) KE 640 steel flapper (from ser.no. 515655 to 523568)	change to steel flapper
2.5	101286	2	EK11b built-in grinder 240V (C0332.00) KE 640 silicone flapper (from ser.no. 523569 to 525390)	change back to silicone flapper
2.5	101300	2	EK11b built-in grinder 240V (C0507.00) KE 640 silicone flapper (from ser.no. 525391)	new motor for higher performance
2.5	101145	31	Grinder casing set EK11b, with silicone flapper, covered spout, brass thread	standard grinder casing with silicone flapper
2.5	243555	31	Grinder casing set EK11b, with steel flapper, covered spout, brass thread (ser.no. 515655-523568 only)	special grinder casing for steel flapper
2.5	243558	36	Silicone flapper Ø17mm	standard
2.5	100584	36	Steel flapper Ø15,8mm (ser.no. 515655-523569 only)	only part time
2.5	101518	36	Silicone flapper Ø15,8mm (exchange for steel flapper only! Serial.no. 515655-523569 only)	only for exchange
2.5	101066	113	Tool for disc change in EK11b	New in spare parts list
2.5	-	1,3,19, 100	Side panels, clamp ring and base plate	round side panels from ser.no. 524390
2.6	275123	32	Grinding disc set 65mm KED640	new part number
2.7	243579	72	Switch single shot, assembled	corrected material number
2.7	243580	73	Switch double shot, assembled	corrected material number
2.8	308942	75	Switch board silver	replaces 243322 (corrected coating)
2.8	103816	(75)	Switch board RAL9005 black matt	New in spare parts list
2.8	104038	(75)	Switch board RAL9010 white matt	New in spare parts list