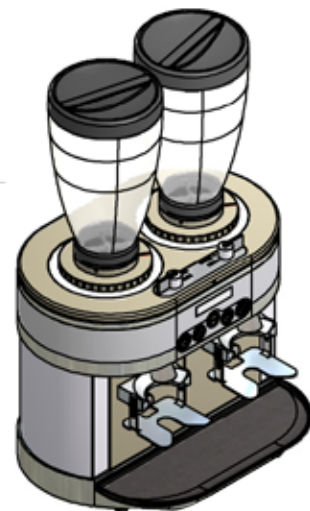
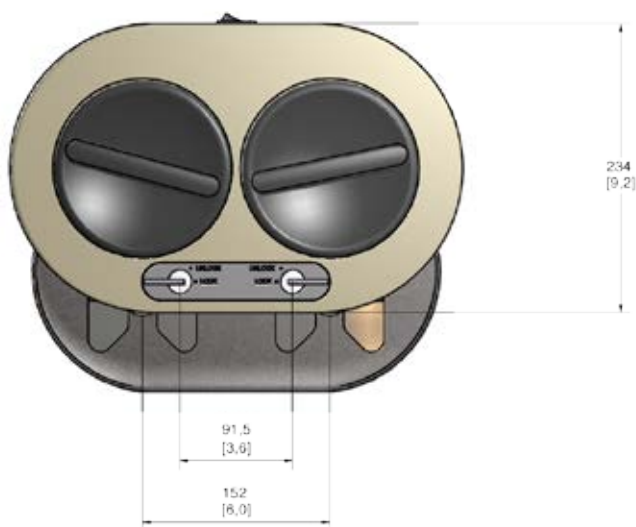
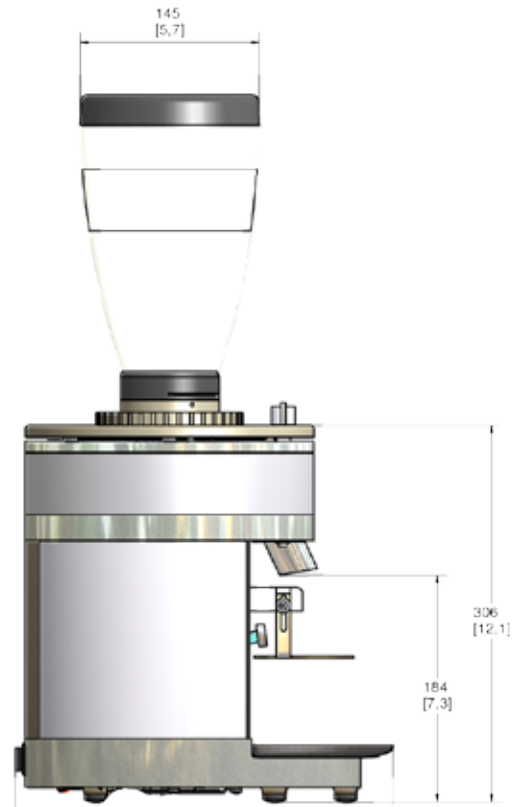
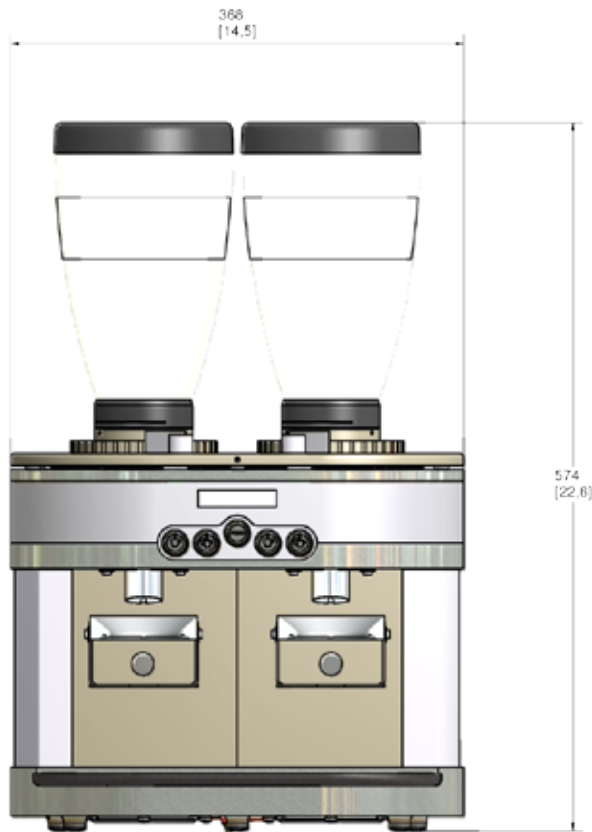




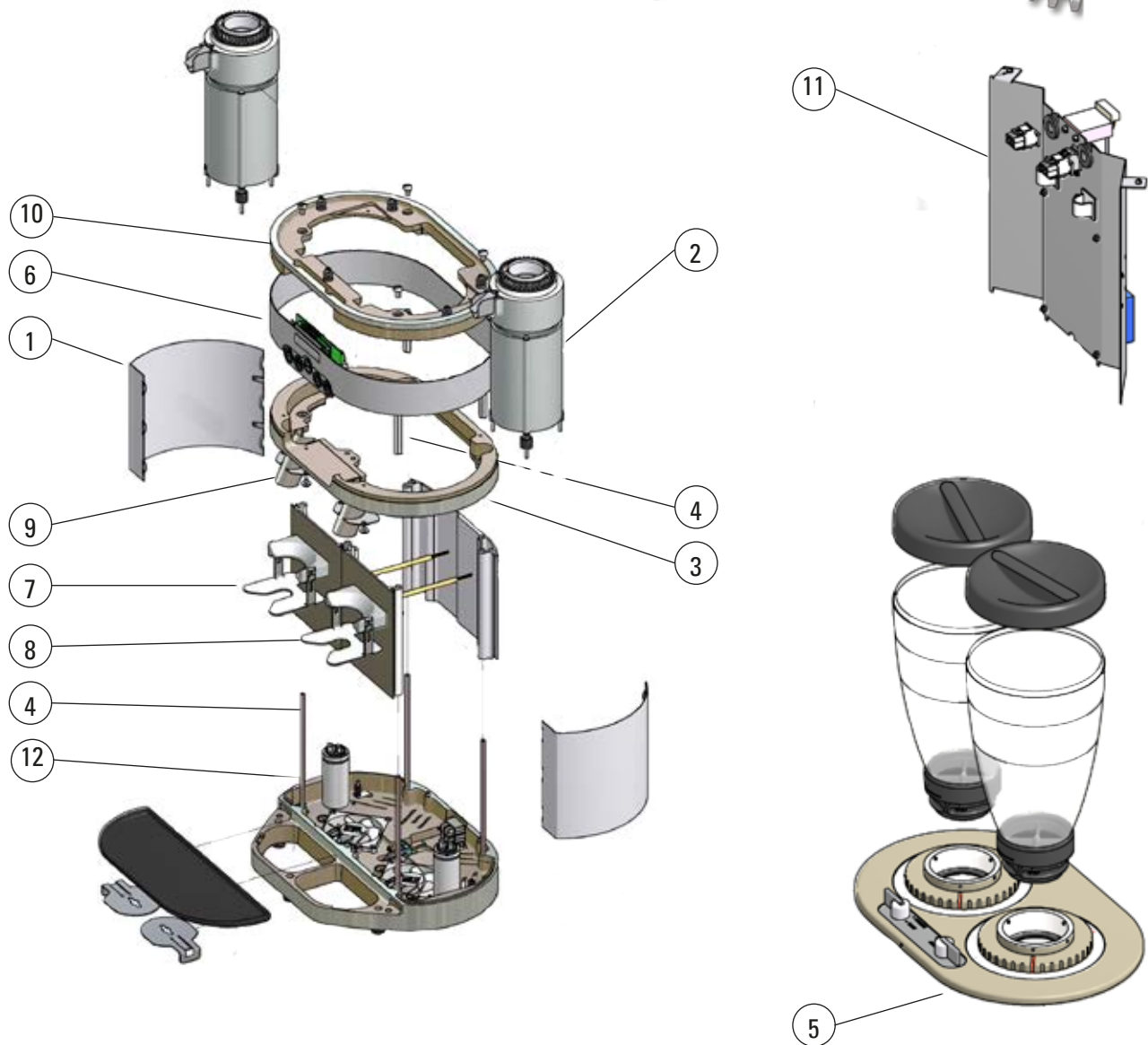
SPARE PARTS LIST - KED 640 100-115V 50/60Hz



Valid from 18th July 2016
Supersedes all previously issued spare parts lists

Subject to change without prior notice.

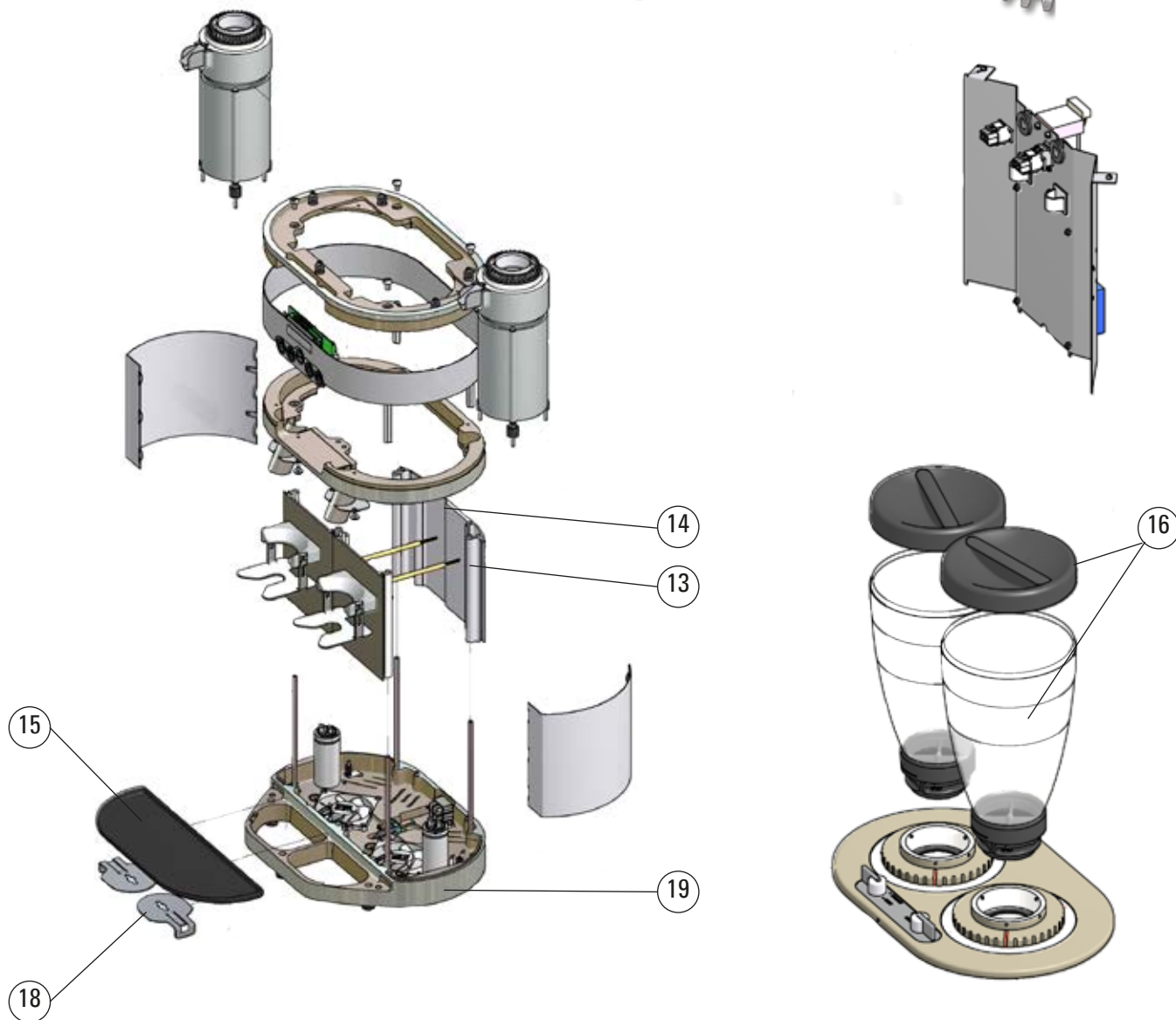
SPARE PARTS LIST - KED 640 100-115V 50/60Hz



Model: KED 640 100-115 V 50/60Hz

ARTICLE NO.	DRAWING NO.	DESCRIPTION
243405	1	Side panel KED 640 RAL 9005 matt black, flat, service pack (until ser.no. 524389)
	1	Side panel KED 640 RAL 9005 matt black, round, service pack (from ser.no. 524390)
-	2	EK11 built-in grinder 110-115V see pages 4 & 5
243296	3	Clamp ring KED 640 flat machined and coated (until ser.no. 524389)
243540	4	Small parts set, body UL
243542	5	Cover KED 640, complete UL & NSF
243298	6	Deco ring KED 640, complete
243543	7	Front panel KED 640 left, complete NSF
243544	8	Front panel KED 640 right, complete NSF
243507	9	Spout (UL/NSF), service pack
243302	10	Intermediate ring machined and coated
243566	11	Power board KED 640 100-120V, service pack
242582	12	Running capacitor 50µF (100-115V / 60Hz)

SPARE PARTS LIST - KED 640 100-115V 50/60Hz



Model: KED 640 100-115 V 50/60Hz

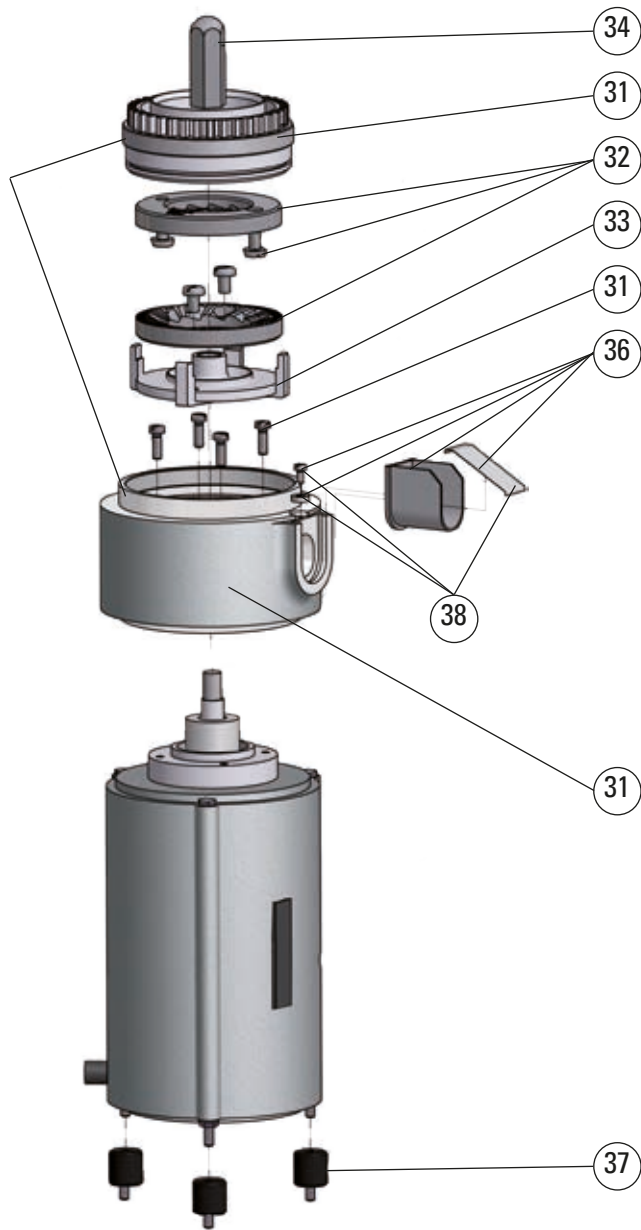
ARTICLE NO.	DRAWING NO.	DESCRIPTION
243304	13	Back panel le/ri coated silver metallic
243305	14	Back panel centre section
243306	15	Residue tray with magnet
243403	16	Hopper
243239	18	Hopper slider
243546	19	Base plate KED 640 flat pre-assembled UL (until ser.no. 524389)



SPARE PARTS LIST - KED 640 100-115V 50/60Hz

! EK11a: aluminium thread and flat spring spout!
Valid until serial number 3325

Always lubricate thread with Klüberpaste!

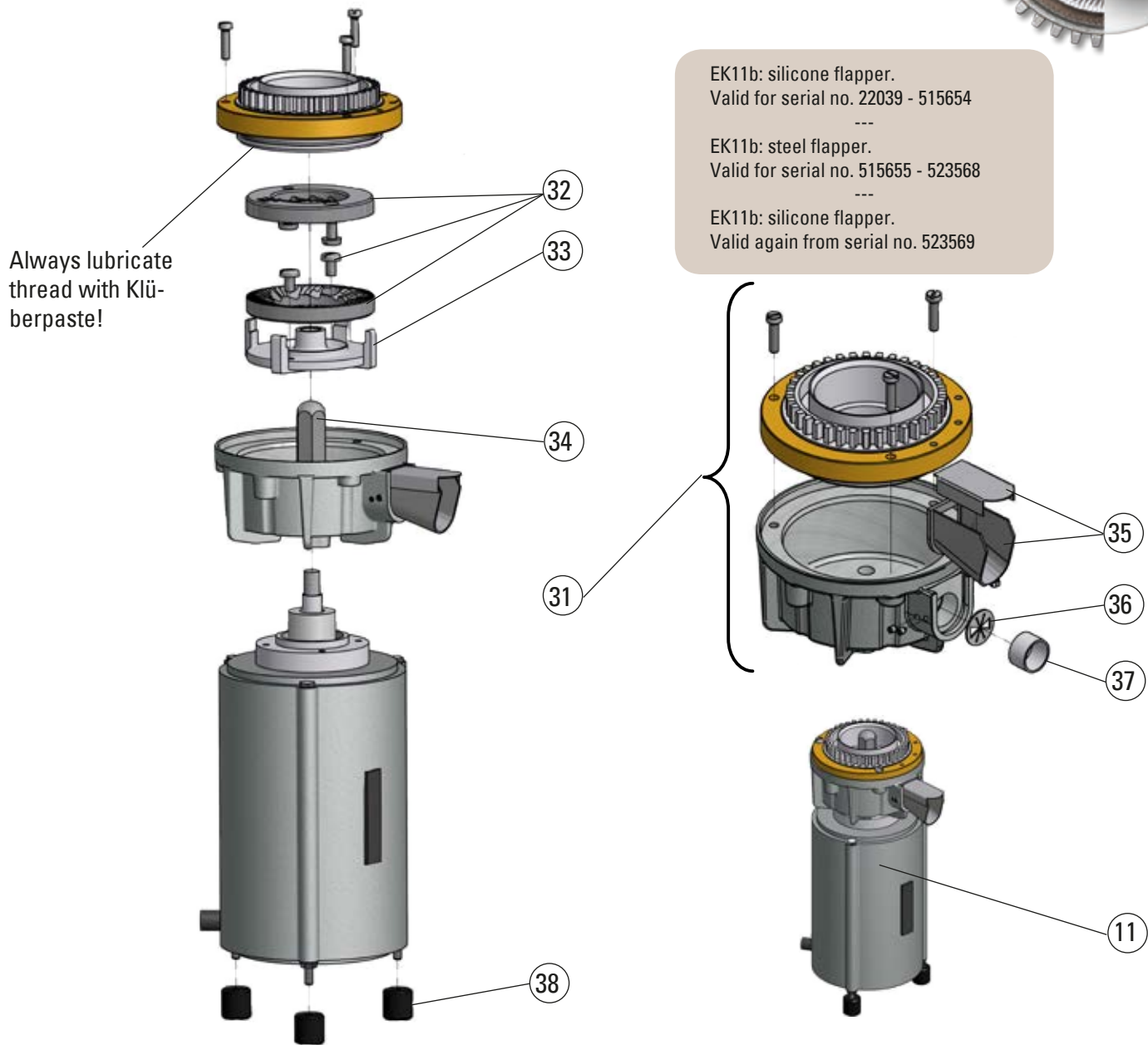


Model: KED 640 100-115 V 50/60Hz

ARTICLE NO.	DRAWING NO.	DESCRIPTION
230614	2	EK11a built-in grinder 110-115V (C0389.00) KED 640 flat spring spout (until ser.no. 3325)
243515	31	Grinder casing set EK11a, UL, service pack
275123	32	Grinding disc set 65mm KED640
242544	33	Grinding disc carrier rotary
242377	34	Finger protection 40mm
243309	36	Spout EK11a, service pack
243547	37	Shock absorbers K30 TWIN (UL), service pack (3 pieces)
243548	38	Flat spring EK11a, service pack (pack of 5)
243183	--	Klüberpaste lubricant tube of 60 gr



SPARE PARTS LIST - KED 640 100-115V 50/60Hz

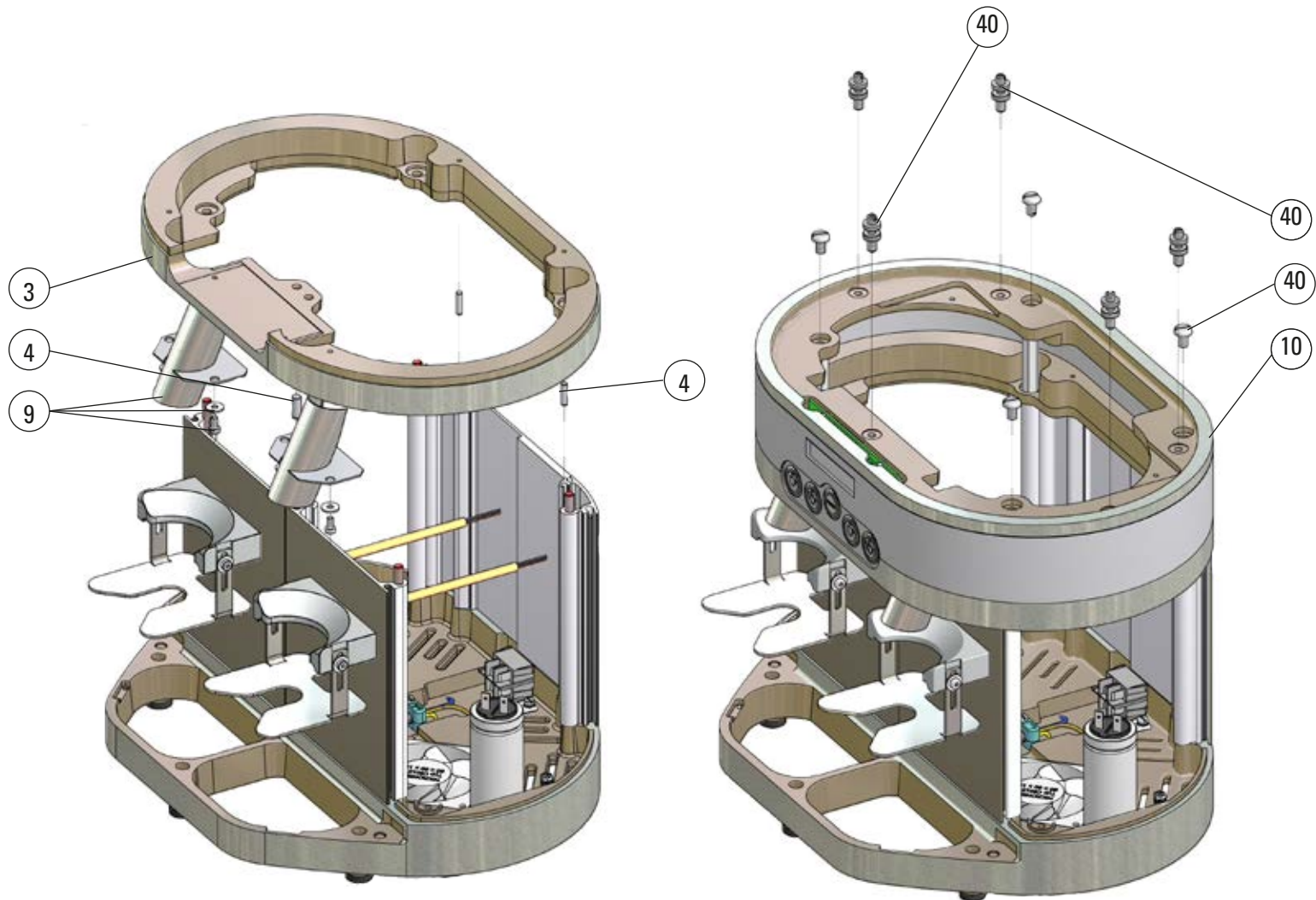


Model: KED 640 100-115 V 50/60Hz

ARTICLE NO.	DRAWING NO.	DESCRIPTION
101284	2	EK11b built-in grinder 110-115V (C0389.00) KED 640 silicone flapper
101177	31	Grinder casing set EK11b, UL, with silicone flapper, covered spout, brass thread
275123	32	Grinding disc set 65mm, KED 640
242544	33	Grinding disc carrier rotary
242377	34	Finger protection 40mm
243557	35	Spout EK11b covered
243558	36	Silicone flapper Ø17mm
100584	36	Steel flapper Ø15,8mm (ser.no. 515655-523568 only)
101518	36	Silicone flapper Ø15,8mm (exchange for steel flapper only! Serial.no. 515655-523568 only)
243559	37	Spout tube EK11b
243547	38	Shock absorbers KED 640 (UL), service pack (3 pieces)
243183	--	Klüberpaste lubricant tube of 60 gr



SPARE PARTS LIST - KED 640 100-115V 50/60Hz

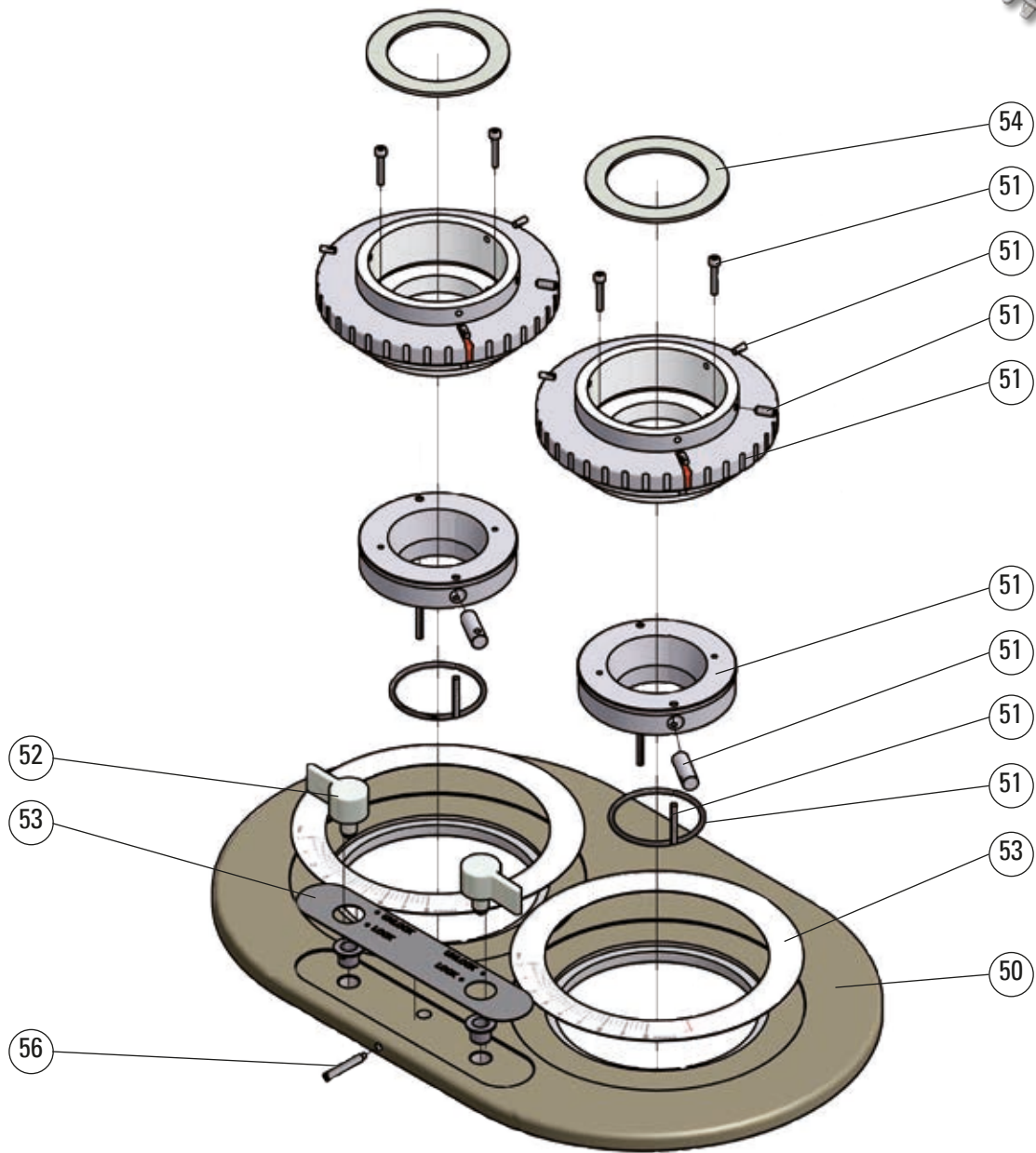


Model: KED 640 100-115 V 50/60Hz

ARTICLE NO.	DRAWING NO.	DESCRIPTION
243296	3	Clamp ring KED 640 flat machined and coated (until ser.no. 524389)
243540	4	Small Parts Set, body UL
243507	9	Spout (UL/NSF), service pack
243302	10	Intermediate ring machined and coated
243311	40	Small Parts Set, intermediate ring



SPARE PARTS LIST - KED 640 100-115V 50/60Hz

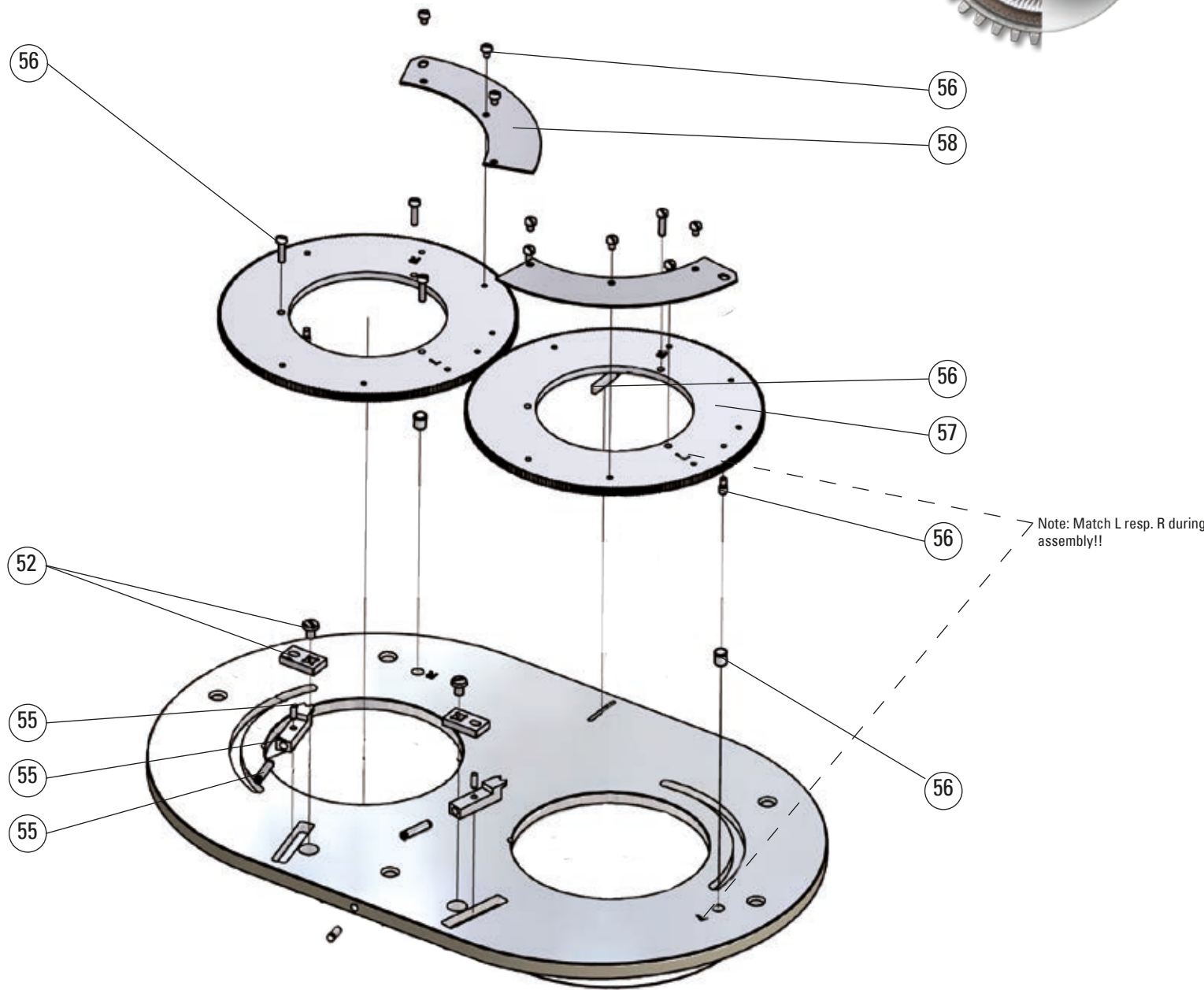


Model: KED 640 100-115 V 50/60Hz

ARTICLE NO.	DRAWING NO.	DESCRIPTION
243312	50	Cover machined and coated
243562	51	Grind adjustment with adapter complete UL&NSF
243563	52	Toggle knob KED 640, service pack
243315	53	Sticker set cover KED 640
243221	54	Seal ring, Pack of 10, 70x50x2
243316	56	Small parts set cover



SPARE PARTS LIST - KED 640 100-115V 50/60Hz

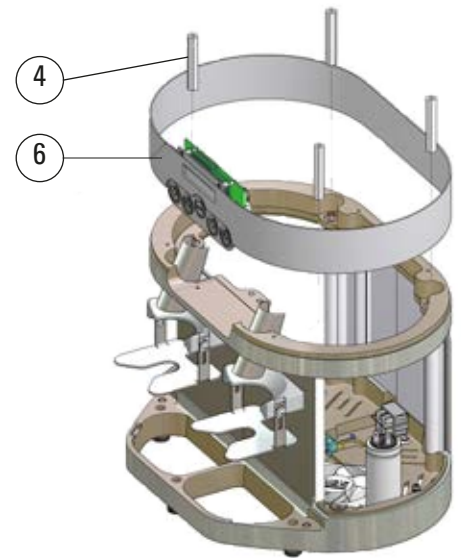
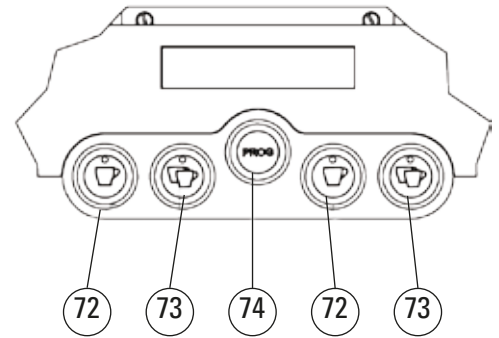
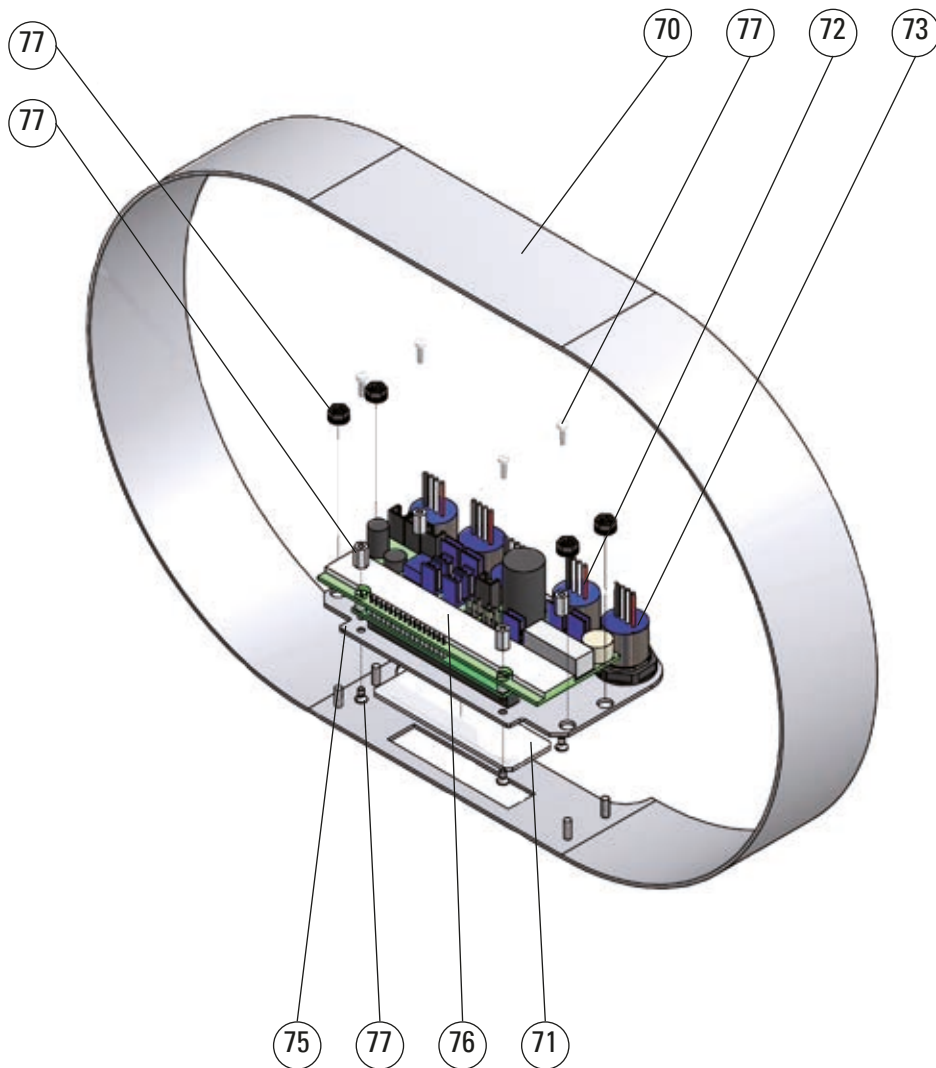


Model: KED 640 100-115 V 50/60Hz

ARTICLE NO.	DRAWING NO.	DESCRIPTION
243563	52	Toggle knob KED 640, service pack
243564	55	Notch slide KED 640, service pack
243316	56	Small parts set cover
243317	57	Swivel machined
243318	58	Guide machined



SPARE PARTS LIST - KED 640 100-115V 50/60Hz

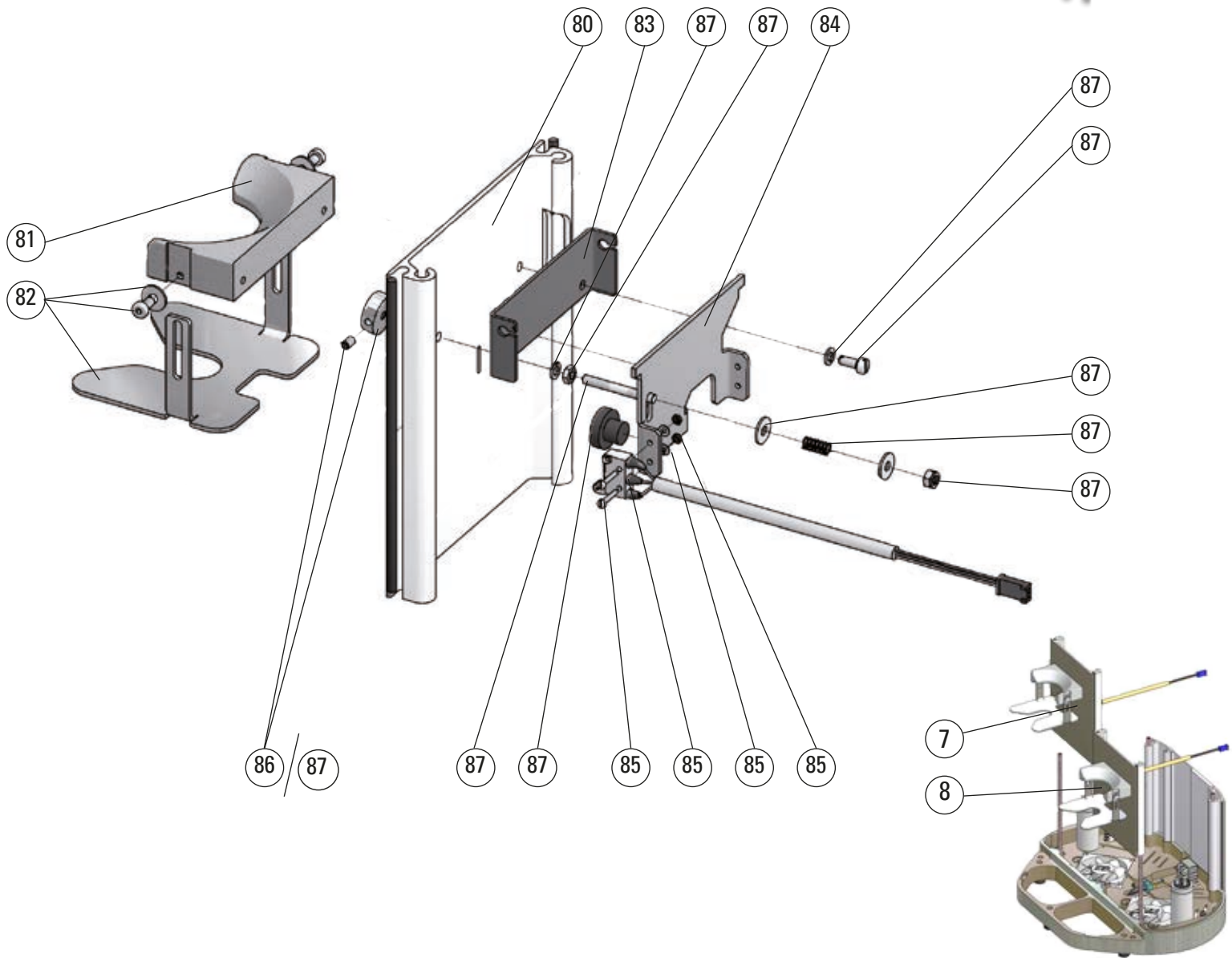


Model: KED 640 100-115 V 50/60Hz

ARTICLE NO.	DRAWING NO.	DESCRIPTION
243540	4	Small Parts Set, body UL
243298	6	Deco ring KED 640 complete
243319	70	Deco ring KED 640 machined and coated
243320	71	Display cover clear for display 2x16
243567	72	Push button single shot, UL, assembled
243568	73	Push button double shot, UL, assembled
243321	74	Push button PROG, assembled
308942	75	Switch board silver
103816	(75)	Switch board RAL9005 black matt
104038	(75)	Switch board RAL9010 white matt
243323	76	Processor board with display (software on request)
243324	77	Small parts set deco ring



SPARE PARTS LIST - KED 640 100-115V 50/60Hz

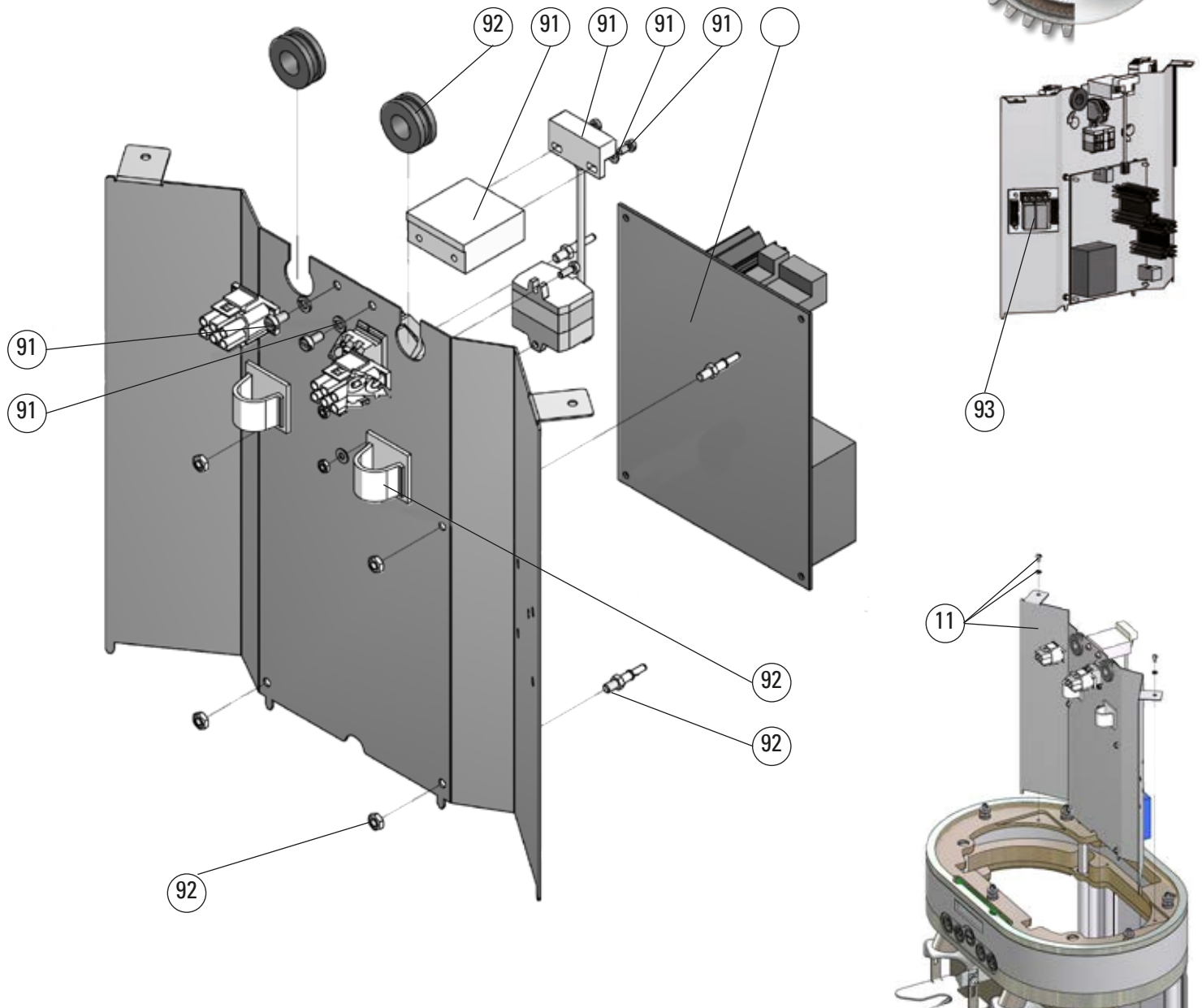


Model: KED 640 100-115 V 50/60Hz

ARTICLE NO.	DRAWING NO.	DESCRIPTION
243543	7	Front panel KED 640 left complete NSF
243544	8	Front panel KED 640 right complete NSF
243325	80	Front panel left machined and coated
243326	--	Front panel right machined and coated
243513	81	Portafilter mounting machined and polished
243514	82	Portafilter rest - angular UL+NSF, service pack
242503	83	Rocker switch bent
243327	84	Rocker switch
243252	85	Micro switch service pack
242365	86	Rocker switch knob service pack
243177	87	Small Parts Set, Front Panel



SPARE PARTS LIST - KED 640 100-115V 50/60Hz

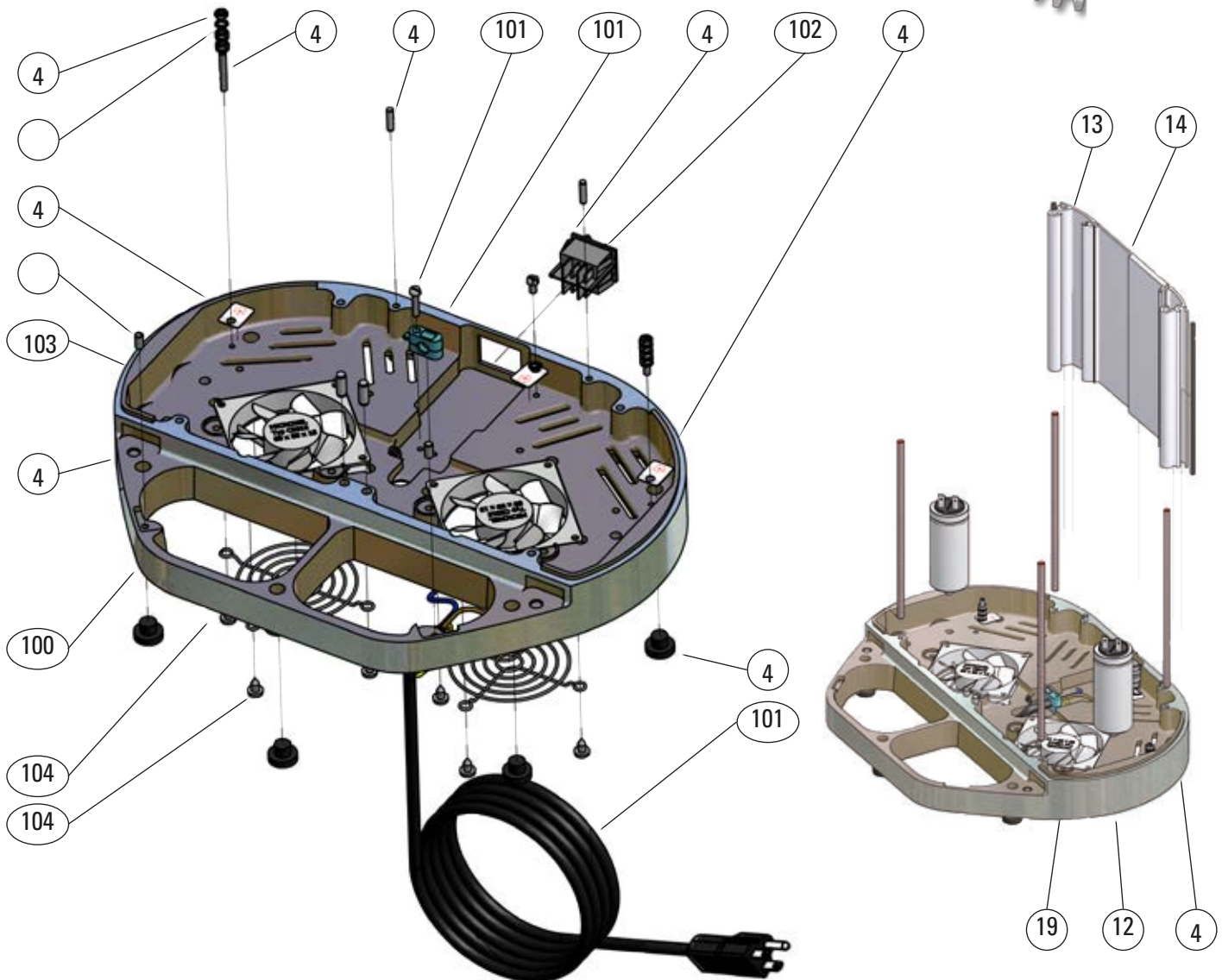


Model: KED 640 100-115 V 50/60Hz

ARTICLE NO.	DRAWING NO.	DESCRIPTION
243566	11	Power board KED 640 100-120V, service pack
243330	90	Power supply PCB (define voltage)
243331	91	Magnetic switch service pack
243332	92	Small parts set power board
243561	93	Zero voltage switch KED 640 115V AC
243570	--	Strand set power board, service pack, UL



SPARE PARTS LIST - KED 640 100-115V 50/60Hz

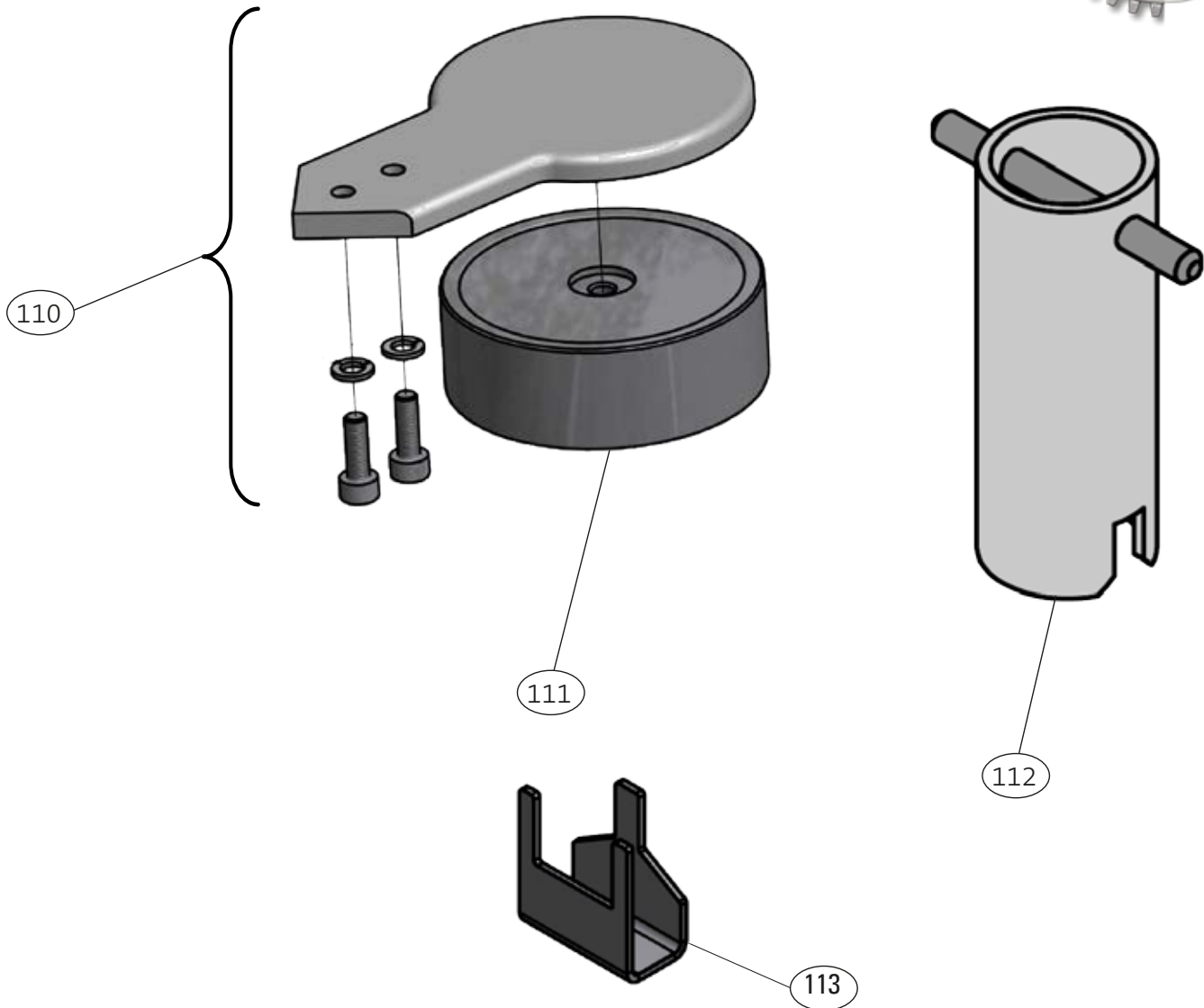


Model: KED 640 100-115 V 50/60Hz

ARTICLE NO.	DRAWING NO.	DESCRIPTION
243540	4	Small Parts Set, body UL
242582	12	Running capacitor 50µF (100-115V / 60Hz)
243304	13	Back panel le/ri coated silver metallic
243305	14	Back panel centre section
243546	19	Base plate KED 640 flat pre-assembled UL (until ser.no. 524389)
243334	100	Base plate KED 640 flat machined and coated (until ser.no. 524389)
243571	101	Power cord 115V UL with cord grip, service pack
242506	102	Rocker switch 2-pin
243365	103	Fan
243338	104	Fan grid, service pack
243572	--	Ventilation slot cover grid KED 640 UL (pack of 2)
243339	--	Strand set service pack switch-power board



SPARE PARTS LIST - KED 640 100-115V 50/60Hz



Model: KED 640 100-115 V 50/60Hz

ARTICLE NO.	DRAWING NO.	DESCRIPTION
ADDITIONAL EQUIPMENT		
308660	(110)	Tamper mounting kit d=53mm KE 640 complete
308787	(110)	Tamper mounting kit d=55mm KE 640 complete
310490	(110)	Tamper mounting kit d=57mm KE 640 complete
307226	110	Tamper mounting kit d=58mm KE 640 complete
307138	(111)	Tamper insert d=53mm for static tamper
307139	(111)	Tamper insert d=55mm for static tamper
310454	(111)	Tamper insert d=57mm for static tamper
306819	111	Tamper insert d=58mm for static tamper
306590	112	Grind adjustment key KE 640
101066	113	Tool for disc change in EK11b



SPARE PARTS LIST - KED 640 100-115V 50/60Hz

Changes In The Spare Parts List:

VALID FROM SERIAL NO.	ARTICLE NO.	DRAWING NO.	DESCRIPTION	COMMENT
2.6	243405	1	Side panel KED 640 RAL 9005 matt black, flat, service pack (until ser.no. 524389)	former side panel shape
2.6		1	Side panel KED 640 RAL 9005 matt black, round, service pack (from ser.no. 524390)	new side panel shape
2.6	101284	2	EK11b built-in grinder 110-115V (C0389.00) KED 640 silicone flapper (from ser.no. 22039)	standard EK11b
2.6	267607	2	EK11b built-in grinder 110-115V (C0389.00) KED 640 steel flapper (for ser. no. 515655 - 523568 only)	only used temporarily
2.6	101177	31	Grinder casing set EK11b, UL, with silicone flapper, covered spout, brass thread	standard grinder casing
2.6	243556	31	Grinder casing set EK11b, UL, with steel flapper, spout, brass thread (for ser.no. 515655 - 523568 only)	only used temporarily
2.6	100584	36	Steel flapper Ø15,8mm (ser.no. 515655-523568 only)	New in spare parts list
2.6	101518	36	Silicone flapper Ø15,8mm (exchange for steel flapper only! Serial.no. 515655-523568 only)	New in spare parts list
2.6	101066	113	Tool for disc change in EK11b	New in spare parts list
2.6	-	1,3,19, 100	Side panels, clamp ring and base plate	round side panels from ser.no. 524390
2.7	275123	32	Grinding disc set 65mm KED640	new part number
2.8	243321	74	Push button PROG, assembled	replaces 243569, no need to be potted
2.9	308942	75	Switch board silver	replaces 243322 (corrected coating)
2.9	103816	(75)	Switch board RAL9005 black matt	New in spare parts list
2.9	104038	(75)	Switch board RAL9010 white matt	New in spare parts list